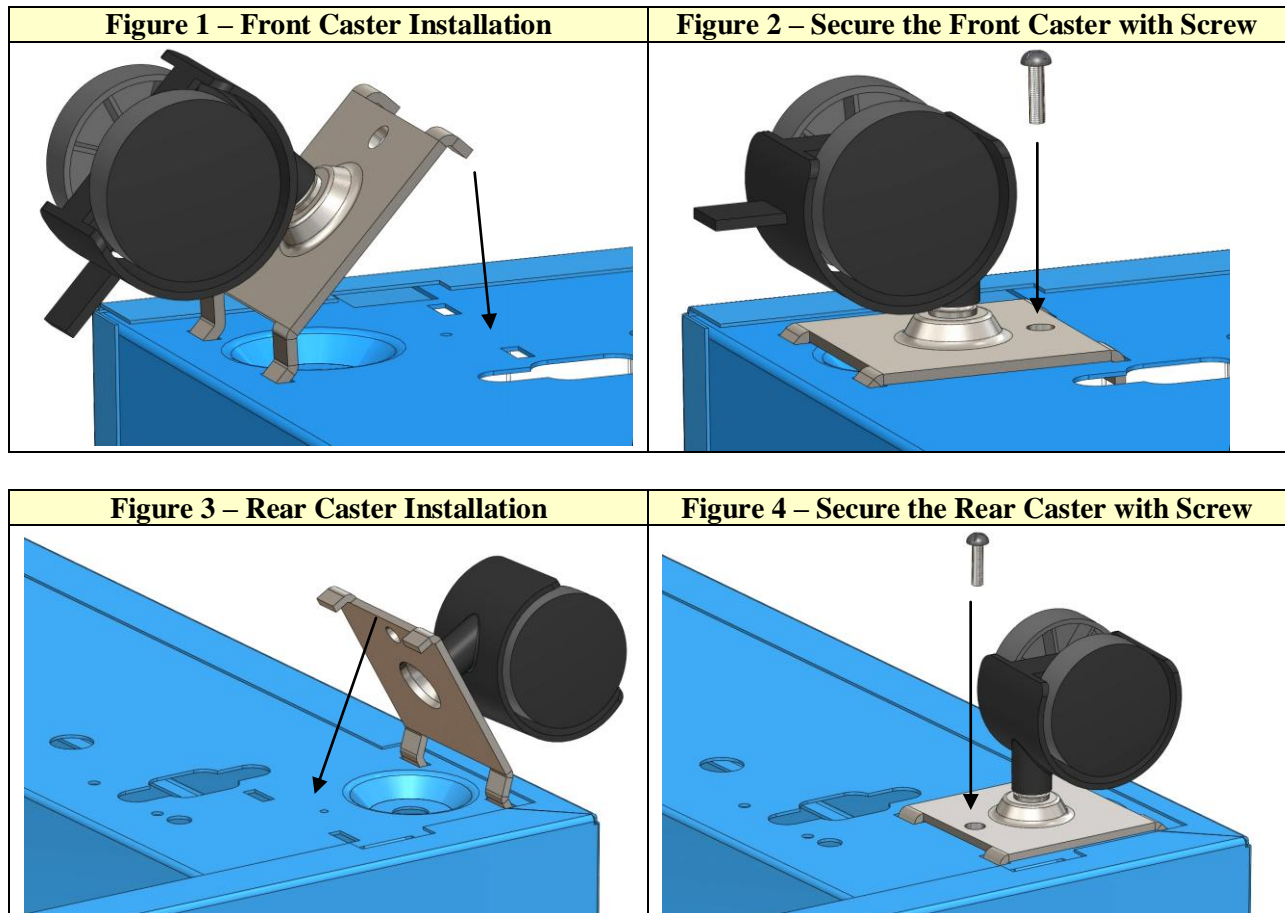


CASTER INSTALLATION INSTRUCTIONS

Tall Casters for Full Height and 21” High Mobile Pedestals

1. Identify casters and screws. Your mobile pedestal includes four casters – two locking, non-swivel casters for the front, and two non-locking, swivel casters for the back. Your pedestal also includes four screws.
2. Lock or remove the drawers to ensure that they are not damaged during installation.
3. *Using two people (to avoid injury or damage to the unit)*, flip over the pedestal or place it on its side to access the underside of the unit. (Note: Do not tip the unit on its back to access the underside, as it is difficult to insert the rear casters from this position.) To avoid scraping the paint or otherwise damaging the unit, make sure the unit is placed on a clean surface – carpeting is preferred.
4. Attach the front and rear casters as shown in Figures 1 and 3. Make sure to place the lock on the front casters towards the outside (front) of the unit.
5. Secure the front and rear casters using the enclosed screws – see Figures 2 and 4.
6. *Using two people*, carefully return the pedestal to its upright position.



CASTER INSTALLATION INSTRUCTIONS

Short Casters for 27” High Mobile Pedestals

1. Identify casters and screws. Your mobile pedestal includes four casters – two locking, swivel casters for the front, and two non-locking, swivel casters for the back. Your pedestal also includes sixteen screws.
2. Lock or remove the drawers to ensure that they are not damaged during installation.
3. *Using two people (to avoid injury or damage to the unit)*, flip over the pedestal or place it on its back or side to access the underside of the unit. To avoid scraping the paint or otherwise damaging the unit, make sure the unit is placed on a clean surface – carpeting is preferred.
4. Align and secure the front casters as shown in Figures 1 and 2. Make sure to place the lock on the front casters towards the outside (front) of the unit.
5. Align and secure the rear casters as shown in Figures 3 and 4.
6. *Using two people*, carefully return the pedestal to its upright position.

Figure 1 – Front Caster Installation – align caster plate with 4 screw holes (diamond configuration)

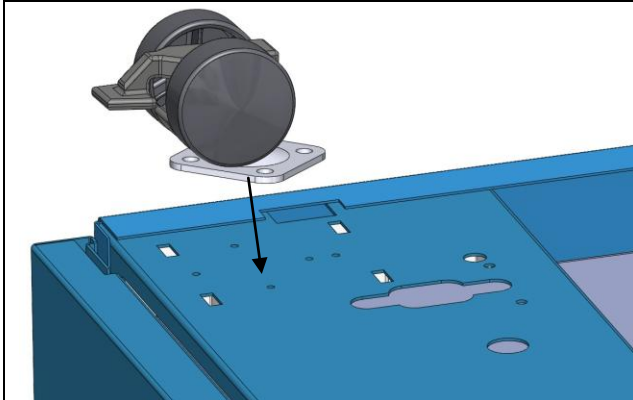


Figure 2 – Secure the Front Caster with Screws

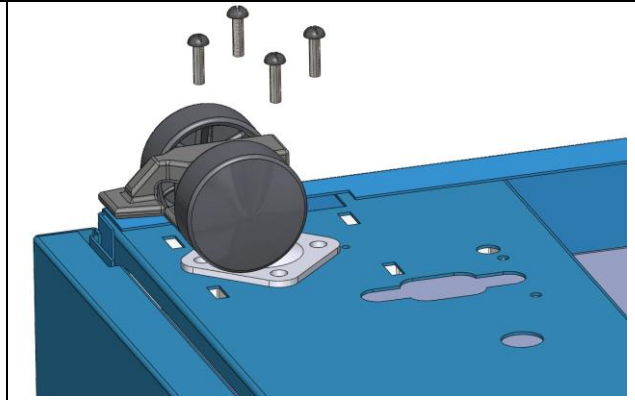


Figure 3 – Rear Caster Installation – align caster plate with 4 screw holes (diamond configuration)

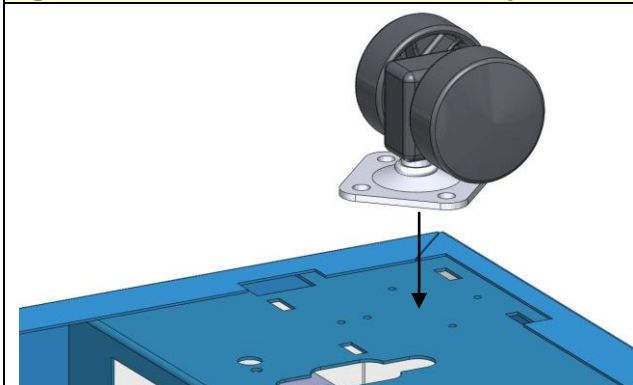


Figure 4 – Secure the Rear Caster with Screws

