



LOW PROFILE (1.5-HIGH) LATERAL FILES & BOOKCASES





1.5-High Box/File Lateral Files



Product No.	H	W	D	Pkg Wt	List Price
OLF1.5h30w	21- ¹ / ₂	30	18	142 lbs	\$880
OLF1.5h36w	21- ¹ / ₂	36	18	155 lbs	\$920
OLF1.5h42w	21- ¹ / ₂	42	18	168 lbs	\$980

- Full-extension, ball-bearing drawer slides
- Safety interlock system and counterweights
- Drawer bodies with double-wall sides
- Leveling glides with 1” adjustability
- Two file bars in bottom drawer for side-to-side filing of letter, A4 or legal-sized file folders
- Meets or exceed ANSI-BIFMA standards
- See the Metal Arc catalog for color, pull and lock options

1.5-High Bookcases



Product No.	H	W	D	Pkg Wt	List Price
BKLD1.5h18w	21- ¹ / ₂	18	18	40 lbs	\$560
BKLD1.5h24w	21- ¹ / ₂	24	18	46 lbs	\$600
BKLD1.5h30w	21- ¹ / ₂	30	18	52 lbs	\$620
BKLD1.5h36w	21- ¹ / ₂	36	18	58 lbs	\$660
BKLD1.5h42w	21- ¹ / ₂	42	18	64 lbs	\$710

- Double-walled side panels
- One adjustable shelf (adjustable in ¹/₂” increments)
- Leveling glides with 1” adjustability
- Horizontal alignment with 1.5h lateral files
- Meets or exceed ANSI-BIFMA standards
- See the Metal Arc catalog for color options

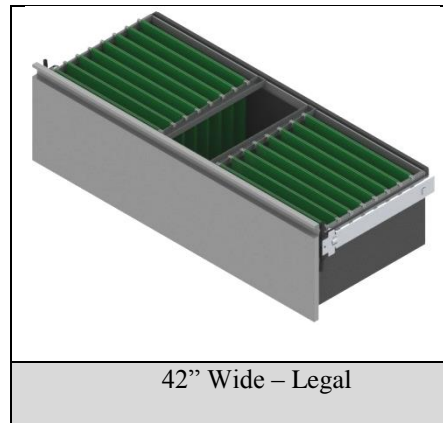
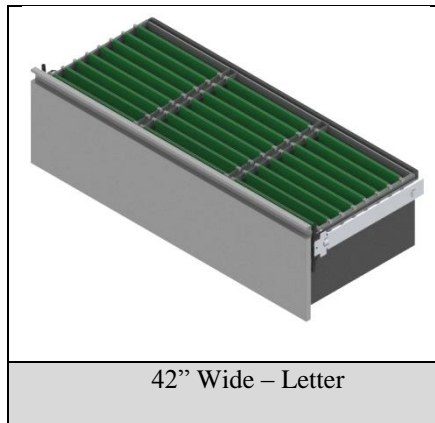
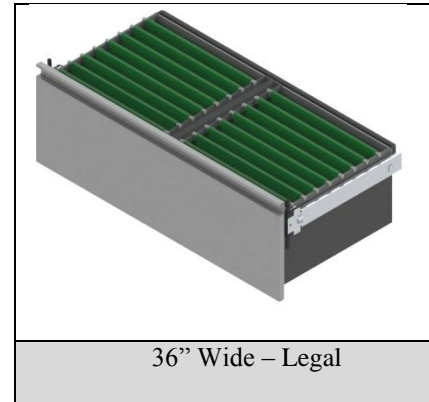
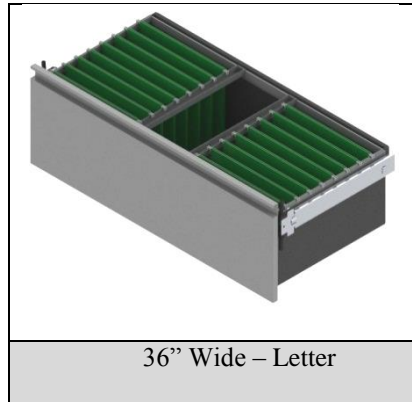
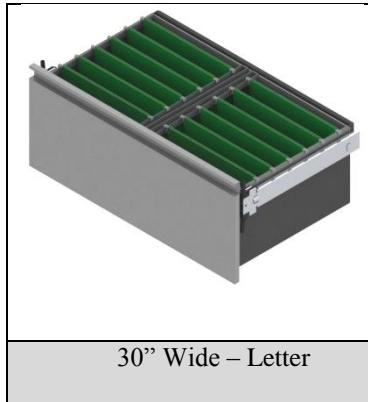
Accessories

Lateral File Front-to-Back Hanging File Bars (for Bottom File Drawer Only):

One set of front-to-back file bars is needed for each lateral file drawer, regardless of width.

Factory Installed	
Product No.	List Price
add "H1" as a suffix to the part number	\$27

Packaged and Sold Separately	
Product No.	List Price
LATHGBARS	\$27



Pencil Tray for Lateral File Box Drawer

Magnet on bottom of base keeps pencil tray firmly in place

Product No.	List Price
OP-PENTRAY	\$35

