



DESKING

Desk Components, Table Legs, & Height-Adjustable Tables



INDEX

DESK COMPONENT PARTS.....	1
End Panels.....	2
Modesty Panels.....	4
Work Surface Supporting Pedestal Files.....	10
Typical Desk Configurations.....	11
TABLE LEGS.....	15
Sitting-Height Table Legs.....	15
Standing-Height Table Legs.....	22
Modesty Panels for Table Legs.....	24
HEIGHT-ADJUSTABLE TABLES.....	27
X-BASES FOR SQUARE & ROUND SURFACES.....	31
CENTER DRAWERS.....	32
DESK ACCESSORIES.....	33
PAINT COLORS.....	35

DESK COMPONENT PARTS

GENERAL PRODUCT SPECIFICATIONS

End Panels

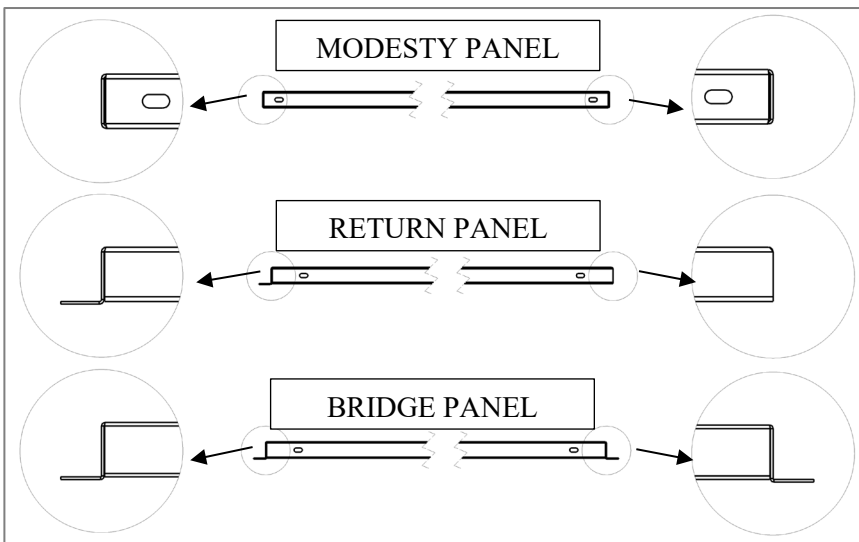
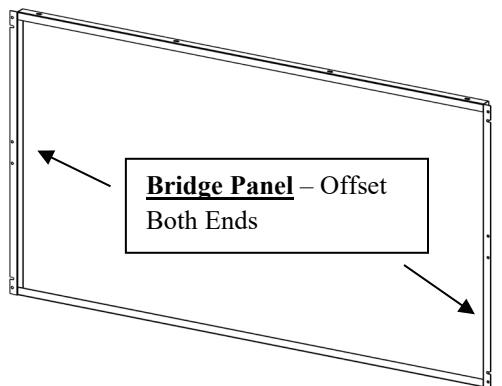
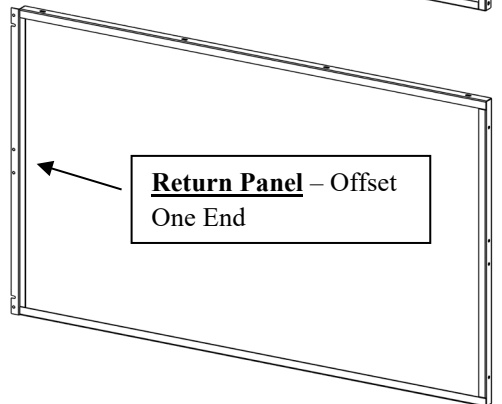
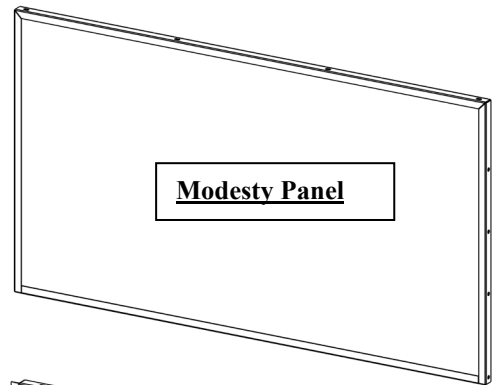
- End panels support the end of work surfaces and can be used in lieu of – or in conjunction with – a work surface supporting pedestal file.
- End panels are 1” thick and are made of heavy-duty 18-gauge steel.
- Leveling glides allow for 1” of adjustability.
- Standard end panel sizes match the depth of Metal Arc’s pedestal files: 22” deep for use with a 24” deep work surface, and 28” deep for use with a 30” deep work surface.
- End panels are non-handed and feature pilot holes for easy attachment of modesty panels, return panels and bridge panels.
- Executive end panels are 1” deeper than standard end panels, to allow for the use of an adjacent 22” or 28” deep pedestal file that sits within the desk shell.

Modesty Panels

- Modesty panels attach to end panels.
- Modesty panels are available in three heights: full height, $\frac{3}{4}$ height, and $\frac{1}{2}$ height.
- Modesty panels are made of 18-gauge steel and have formed edges for extra strength.

Return Panels and Bridge Panels

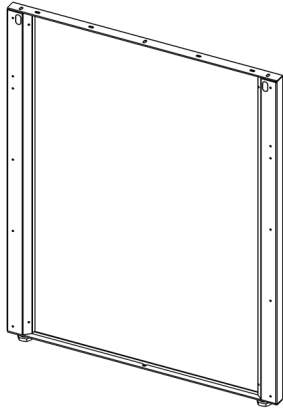
- Return and bridge panels feature offset ends for easy attachment to adjacent end panels; extra attachment brackets are not necessary.



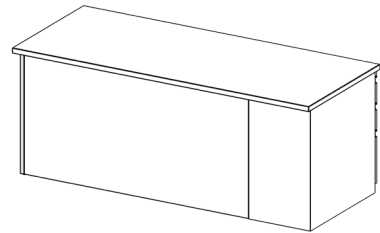
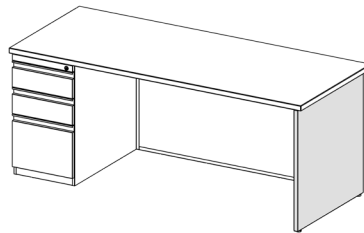
End Panels

Standard End Panels

- End panels support the end of a desk and are used in lieu of a work surface supporting pedestal file.
- Standard end panel sizes match the depths of Metal Arc’s pedestal files: 22” deep for use with a 24” deep work surface and 28” deep for use with a 30” deep work surface.
- Work surface overhangs for standard end panels are ½” in front, 1-½” in back, and ¼” on each end.
- Standard end panels are 1” thick.

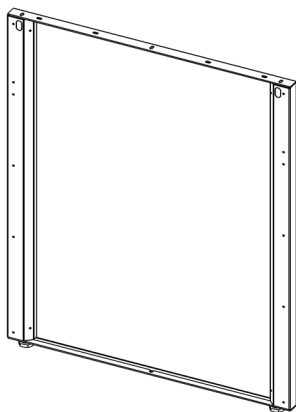


Product No.	H	D	List Price
DESK-ENDPANEL18d	27- ³ / ₄	18	\$209
DESK-ENDPANEL22d	27- ³ / ₄	22	\$213
DESK-ENDPANEL28d	27- ³ / ₄	28	\$244

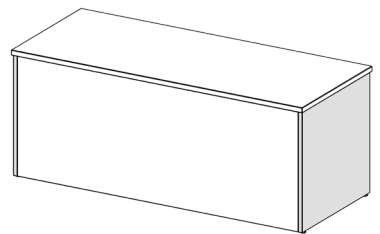
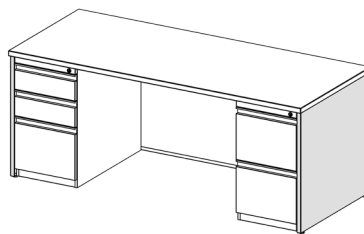


Executive End Panels

- Executive end panels support the end of a desk and are designed to be used with an adjacent pedestal file.
- Executive end panels are 1” deeper than standard end panels. This allows them to be used with an adjacent 22” or 28” deep pedestal file that sits within the desk shell.
- Work surface overhangs for executive end panels are ½” in front, ½” in back, and ¼” on each end.
- Executive end panels are 1” thick.



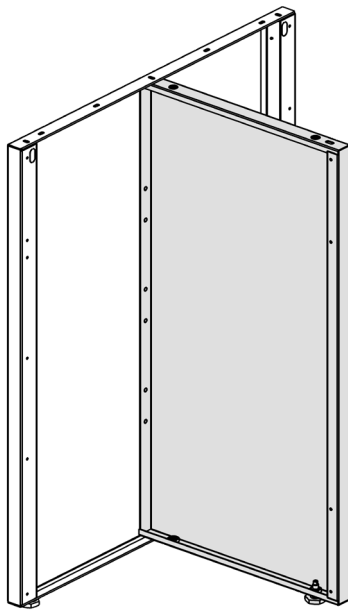
Product No.	H	D	List Price
DESK-ENDPANEL23d	27- ³ / ₄	23	\$238
DESK-ENDPANEL29d	27- ³ / ₄	29	\$269



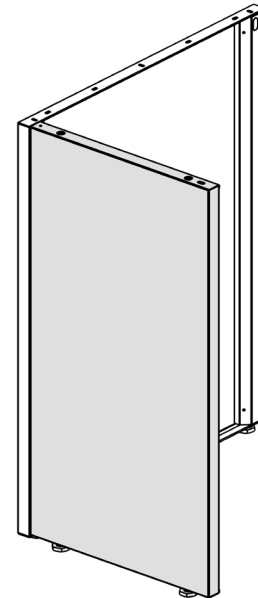
Support Panels

- Support panels are used with end panels to form either “T” or “L”-shaped desk support configurations – see illustrations below.
- Support panels are non-handed; leveling glides can be switched from one end to the other to reverse the direction of the end support panel.
- Self-tapping screws (not included) are required to create a T-shaped desk support using a desk support panel.

Product No.	H	W	D	List Price
DESK-SPPT PNL 8w	27 ^{-3/4}	8	1	\$205
DESK-SPPT PNL 14w	27 ^{-3/4}	14	1	\$205



T-Shaped Configuration



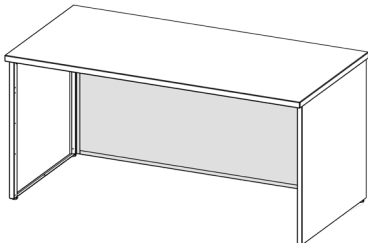
L-Shaped Configuration

Modesty Panels

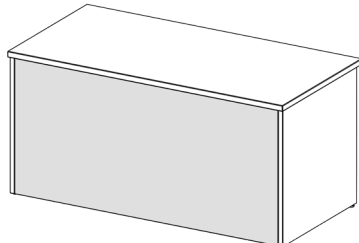
Modesty Panels for Full Desk Shells

- These panels are used with two end panels.
- A work surface will overhang the end panels by ¼” at each end.

Full-Height Modesty Panels for Full Desk Shells				
Product No.	Description	H	W	List Price
DESK-FBP57.5	Back Panel for 60w Full Desk Shell	27- ⁵ / ₁₆	57-1/2	\$256
DESK-FBP63.5	Back Panel for 66w Full Desk Shell	27- ⁵ / ₁₆	63-1/2	\$288
DESK-FBP69.5	Back Panel for 72w Full Desk Shell	27- ⁵ / ₁₆	69-1/2	\$313

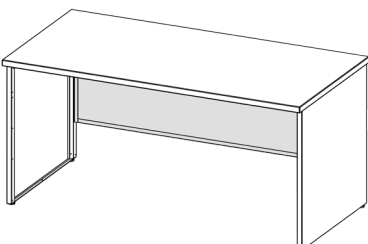


Front View

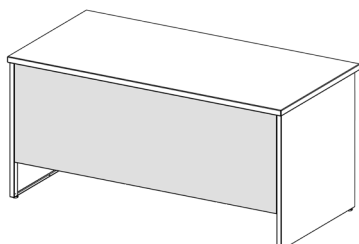


Back View

Three-Quarter-Height Modesty Panels for Full Desk Shells				
Product No.	Description	H	W	List Price
DESK-FBP57.5T	¾ Back Panel for 60w Full Desk Shell	20- ¹ / ₈	57-1/2	\$256
DESK-FBP63.5T	¾ Back Panel for 66w Full Desk Shell	20- ¹ / ₈	63-1/2	\$288
DESK-FBP69.5T	¾ Back Panel for 72w Full Desk Shell	20- ¹ / ₈	69-1/2	\$313

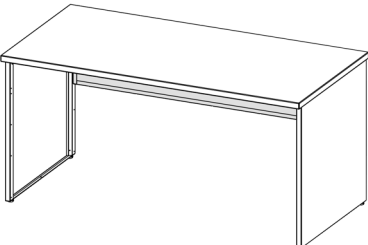


Front View

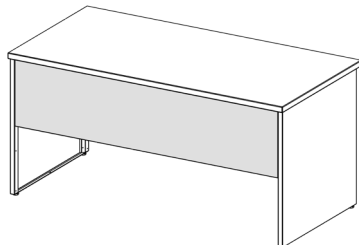


Back View

Half-Height Modesty Panels for Full Desk Shells				
Product No.	Description	H	W	List Price
DESK-FBP57.5H	½ Back Panel for 60w Full Desk Shell	13-1/2	57-1/2	\$194
DESK-FBP63.5H	½ Back Panel for 66w Full Desk Shell	13-1/2	63-1/2	\$213
DESK-FBP69.5H	½ Back Panel for 72w Full Desk Shell	13-1/2	69-1/2	\$225



Front View

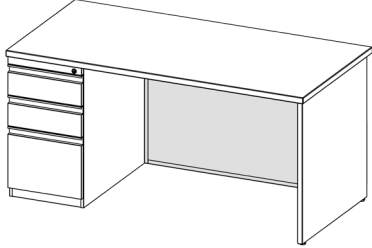


Back View

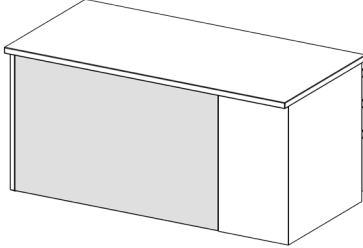
Modesty Panels for Single Pedestal Desks

- These panels are used with one standard end panel (one end) and one pedestal file (opposite end).
- A work surface will overhang the end panel and the pedestal file by ¼” at each end.

Full-Height Modesty Panels for Single Pedestal Desks				
Product No.	Description	H	W	List Price
DESK-FBP43.5	Back Panel for 1 Ped 60w Desk	27 ^{-5/16}	43 ^{-1/2}	\$206
DESK-FBP49.5	Back Panel for 1 Ped 66w Desk	27 ^{-5/16}	49 ^{-1/2}	\$231
DESK-FBP55.5	Back Panel for 1 Ped 72w Desk	27 ^{-5/16}	55 ^{-1/2}	\$256

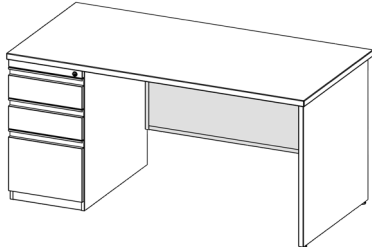


Front View

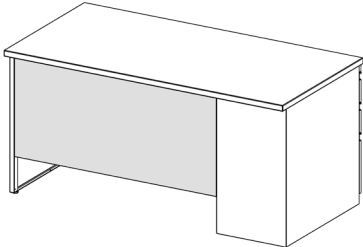


Back View

Three-Quarter-Height Modesty Panels for Single Pedestal Desks				
Product No.	Description	H	W	List Price
DESK-FBP43.5T	¾ Back Panel for 1 Ped 60w Desk	20 ^{-1/8}	43 ^{-1/2}	\$206
DESK-FBP49.5T	¾ Back Panel for 1 Ped 66w Desk	20 ^{-1/8}	49 ^{-1/2}	\$231
DESK-FBP55.5T	¾ Back Panel for 1 Ped 72w Desk	20 ^{-1/8}	55 ^{-1/2}	\$256

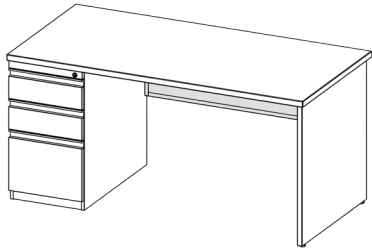


Front View

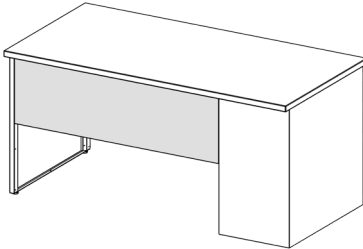


Back View

Half-Height Modesty Panels for Single Pedestal Desks				
Product No.	Description	H	W	List Price
DESK-FBP43.5H	½ Back Panel for 1 Ped 60w Desk	13 ^{-1/2}	43 ^{-1/2}	\$163
DESK-FBP49.5H	½ Back Panel for 1 Ped 66w Desk	13 ^{-1/2}	49 ^{-1/2}	\$175
DESK-FBP55.5H	½ Back Panel for 1 Ped 72w Desk	13 ^{-1/2}	55 ^{-1/2}	\$194



Front View

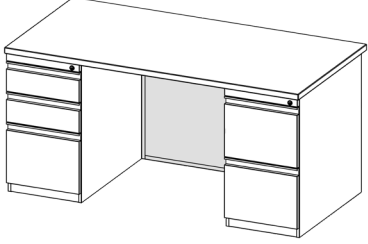


Back View

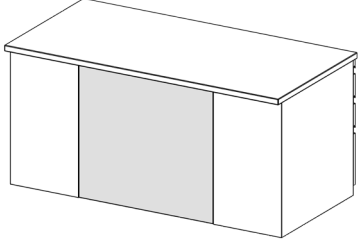
Modesty Panels for Double Pedestal Desks

- These panels are used with a pedestal file at each end of the desk.
- A work surface will overhang the pedestal files by 1/4" at each end.

Full-Height Modesty Panels for Double Pedestal Desks				
Product No.	Description	H	W	List Price
DESK-FBP29.5	Back Panel for 2 Ped 60w Desk	27 ^{-5/16}	29 ^{-1/2}	\$150
DESK-FBP35.5	Back Panel for 2 Ped 66w Desk	27 ^{-5/16}	35 ^{-1/2}	\$175
DESK-FBP41.5	Back Panel for 2 Ped 72w Desk	27 ^{-5/16}	41 ^{-1/2}	\$194

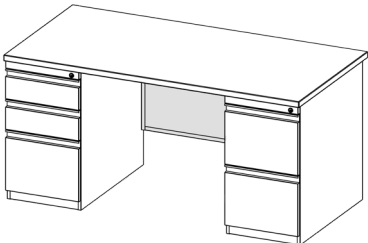


Front View

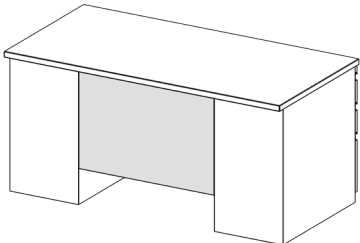


Back View

Three-Quarter-Height Modesty Panels for Double Pedestal Desks				
Product No.	Description	H	W	List Price
DESK-FBP29.5T	3/4 Back Panel for 2 Ped 60w Desk	20 ^{-1/8}	29 ^{-1/2}	\$150
DESK-FBP35.5T	3/4 Back Panel for 2 Ped 66w Desk	20 ^{-1/8}	35 ^{-1/2}	\$175
DESK-FBP41.5T	3/4 Back Panel for 2 Ped 72w Desk	20 ^{-1/8}	41 ^{-1/2}	\$194

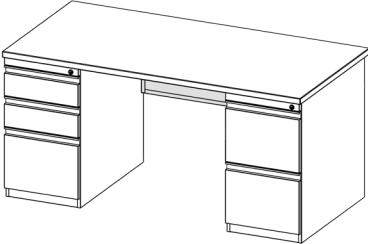


Front View

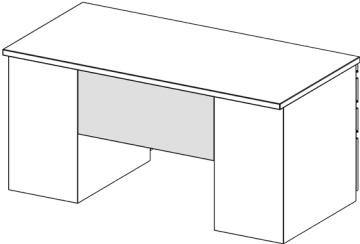


Back View

Half-Height Modesty Panels for Double Pedestal Desks				
Product No.	Description	H	W	List Price
DESK-FBP29.5H	1/2 Back Panel for 2 Ped 60w Desk	13 ^{-1/2}	29 ^{-1/2}	\$119
DESK-FBP35.5H	1/2 Back Panel for 2 Ped 66w Desk	13 ^{-1/2}	35 ^{-1/2}	\$138
DESK-FBP41.5H	1/2 Back Panel for 2 Ped 72w Desk	13 ^{-1/2}	41 ^{-1/2}	\$150



Front View



Back View

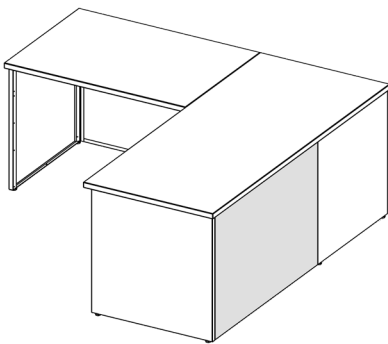
Return Panels – Full Return Shells

- These panels are used with an end panel at the end of a return.
- A work surface will overhang the end panel at the end of the return by 1/4”.

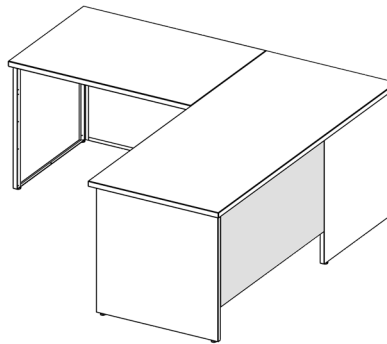
Full-Height Modesty Panels for Full Return Shells				
Product No.	Description	H	W	List Price
DESK-RPL35.25	Panel for 36w Full Return Shell	27 ^{-5/16}	35 ^{-1/4}	\$175
DESK-RPL41.25	Panel for 42w Full Return Shell	27 ^{-5/16}	41 ^{-1/4}	\$194
DESK-RPL47.25	Panel for 48w Full Return Shell	27 ^{-5/16}	47 ^{-1/4}	\$213
DESK-RPL59.25	Panel for 60w Full Return Shell	27 ^{-5/16}	59 ^{-1/4}	\$288
DESK-RPL65.25	Panel for 66w Full Return Shell	27 ^{-5/16}	65 ^{-1/4}	\$300

Three-Quarter-Height Modesty Panels for Full Return Shells				
Product No.	Description	H	W	List Price
DESK-RPL35.25T	3/4 Panel for 36w Full Return Shell	20 ^{-1/8}	35 ^{-1/4}	\$175
DESK-RPL41.25T	3/4 Panel for 42w Full Return Shell	20 ^{-1/8}	41 ^{-1/4}	\$194
DESK-RPL47.25T	3/4 Panel for 48w Full Return Shell	20 ^{-1/8}	47 ^{-1/4}	\$213
DESK-RPL59.25T	3/4 Panel for 60w Full Return Shell	20 ^{-1/8}	59 ^{-1/4}	\$288
DESK-RPL65.25T	3/4 Panel for 66w Full Return Shell	20 ^{-1/8}	65 ^{-1/4}	\$300

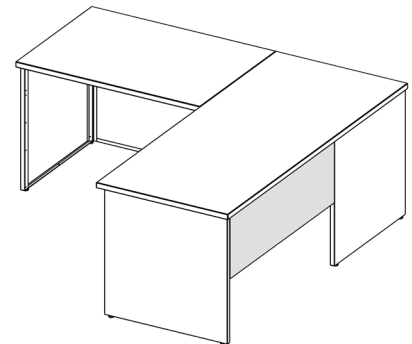
Half-Height Modesty Panels for Full Return Shells				
Product No.	Description	H	W	List Price
DESK-RPL35.25H	1/2 Panel for 36w Full Return Shell	13 ^{-1/2}	35 ^{-1/4}	\$138
DESK-RPL41.25H	1/2 Panel for 42w Full Return Shell	13 ^{-1/2}	41 ^{-1/4}	\$150
DESK-RPL47.25H	1/2 Panel for 48w Full Return Shell	13 ^{-1/2}	47 ^{-1/4}	\$175
DESK-RPL59.25H	1/2 Panel for 60w Full Return Shell	13 ^{-1/2}	59 ^{-1/4}	\$206
DESK-RPL65.25H	1/2 Panel for 66w Full Return Shell	13 ^{-1/2}	65 ^{-1/4}	\$219



Full-Height Panel for Full Return Shell



3/4-Height Panel for Full Return Shell



1/2-Height Panel for Full Return Shell

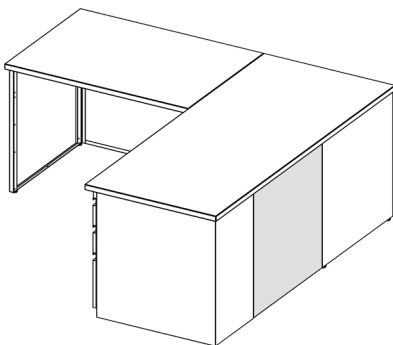
Return Panels – Single Pedestal Returns

- These panels are used with a work surface supporting pedestal file at the end of a return.
- A work surface will overhang the pedestal file at the end of the return by 1/4”.

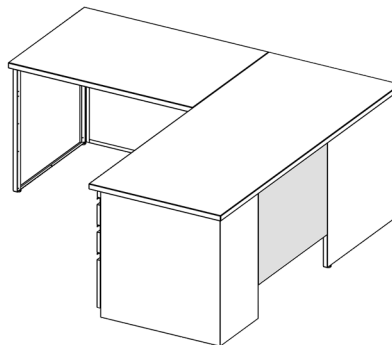
Full-Height Modesty Panels for Single Pedestal Returns				
Product No.	Description	H	W	List Price
DESK-RPL21.25	Panel for 1 Ped 36w Return	27 ^{-5/16}	21 ^{-1/4}	\$131
DESK-RPL27.25	Panel for 1 Ped 42w Return	27 ^{-5/16}	27 ^{-1/4}	\$150
DESK-RPL33.25	Panel for 1 Ped 48w Return	27 ^{-5/16}	33 ^{-1/4}	\$169
DESK-RPL45.25	Panel for 1 Ped 60w Return	27 ^{-5/16}	45 ^{-1/4}	\$206
DESK-RPL51.25	Panel for 1 Ped 66w Return	27 ^{-5/16}	51 ^{-1/4}	\$250

Three-Quarter-Height Panels for Single Pedestal Returns				
Product No.	Description	H	W	List Price
DESK-RPL21.25T	3/4 Panel for 1 Ped 36w Return	20 ^{-1/8}	21 ^{-1/4}	\$131
DESK-RPL27.25T	3/4 Panel for 1 Ped 42w Return	20 ^{-1/8}	27 ^{-1/4}	\$150
DESK-RPL33.25T	3/4 Panel for 1 Ped 48w Return	20 ^{-1/8}	33 ^{-1/4}	\$169
DESK-RPL45.25T	3/4 Panel for 1 Ped 60w Return	20 ^{-1/8}	45 ^{-1/4}	\$206
DESK-RPL51.25T	3/4 Panel for 1 Ped 66w Return	20 ^{-1/8}	51 ^{-1/4}	\$250

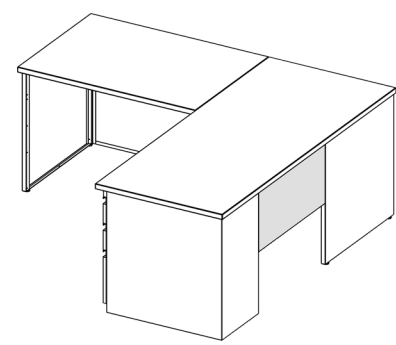
Half-Height Panels for Single Pedestal Returns				
Product No.	Description	H	W	List Price
DESK-RPL21.25H	1/2 Panel for 1 Ped 36w Return	13 ^{-1/2}	21 ^{-1/4}	\$100
DESK-RPL27.25H	1/2 Panel for 1 Ped 42w Return	13 ^{-1/2}	27 ^{-1/4}	\$119
DESK-RPL33.25H	1/2 Panel for 1 Ped 48w Return	13 ^{-1/2}	33 ^{-1/4}	\$131
DESK-RPL45.25H	1/2 Panel for 1 Ped 60w Return	13 ^{-1/2}	45 ^{-1/4}	\$169
DESK-RPL51.25H	1/2 Panel for 1 Ped 66w Return	13 ^{-1/2}	51 ^{-1/4}	\$194



Full-Height Panel for Single Ped Return



3/4-Height Panel for Single Ped Return

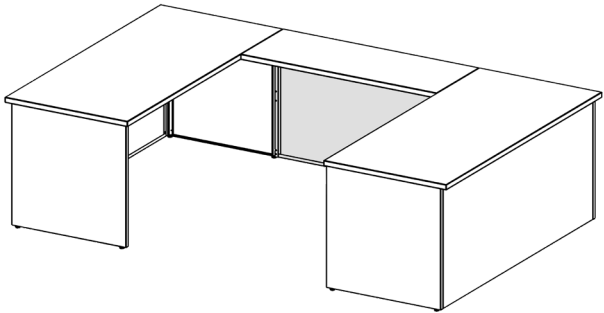


1/2-Height Panel for Single Ped Return

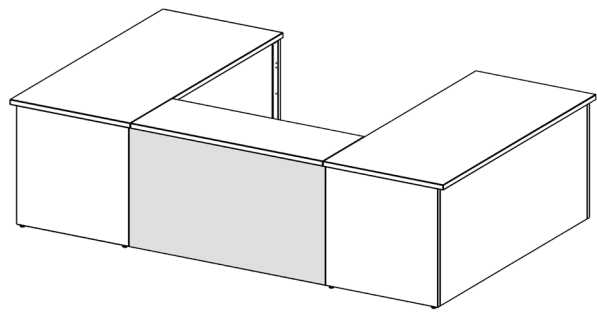
Bridge Panels

- Bridge panels are used to make a U-shaped desk configuration.
- Bridge panels attach to the end panels on desk shells or single-pedestal desks.

Full-Height Bridge Modesty Panels				
Product No.	Description	H	W	List Price
DESK-BBP43	Panel for 42w Bridge	27 ^{-5/16}	43	\$206
DESK-BBP49	Panel for 48w Bridge	27 ^{-5/16}	49	\$231

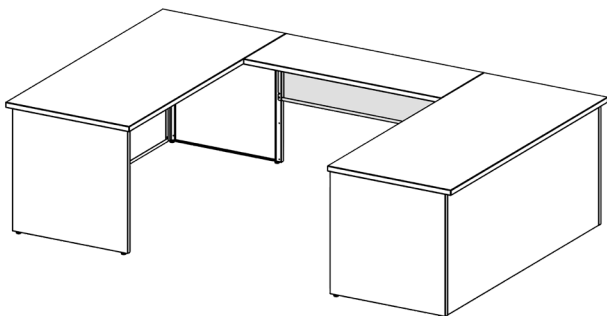


Front View

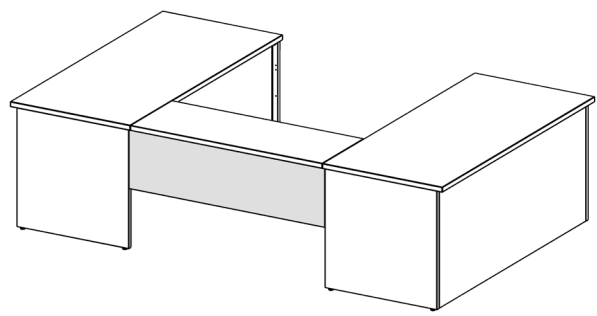


Back View

Half-Height Bridge Modesty Panels				
Product No.	Description	H	W	List Price
DESK-BBP43H	½ Panel for 42w Bridge	13 ^{-1/2}	43	\$163
DESK-BBP49H	½ Panel for 48w Bridge	13 ^{-1/2}	49	\$175



Front View



Back View

Work Surface Supporting Pedestal Files

- Top channels attach to the underside of a work surface.

Product No.	H	W	D	List Price
PWS27h18d-BBF	27-1/2	15	18	\$511
PWS27h18d-FF	27-1/2	15	18	\$474

PWS27h22d-BBF	27-1/2	15	22	\$521
PWS27h22d-FF	27-1/2	15	22	\$485

PWS27h28d-BBF	27-1/2	15	28	\$635
PWS27h28d-FF	27-1/2	15	28	\$594



Box/Box/File (BBF)



File/File (FF)

See the Metal Arc Office Furniture Catalog for complete information on pedestal files

Typical Desk Configurations

Desk Shells with Full-Height Modesty Panels

- Work surfaces will overhang the desk components by ½” in the front, 1-½” in the back, and ¼” on each side.
- ¾-height and ½-height modesty panels may be substituted for the full-height panels shown in the configurations below.



Front View



Back View

60w x 24d Desk Shell		
Qty	Part No.	Description
2	DESK-ENDPANEL22d	Standard End Panel 22d
1	DESK-FBP57.5	Back Panel for 60w Full Desk Shell
1	WORK-24d60w	Standard Work Surface 24d x 60w

60w x 30d Desk Shell		
Qty	Part No.	Description
2	DESK-ENDPANEL28d	Standard End Panel 28d
1	DESK-FBP57.5	Back Panel for 60w Full Desk Shell
1	WORK-30d60w	Standard Work Surface 30d x 60w

66w x 24d Desk Shell		
Qty	Part No.	Description
2	DESK-ENDPANEL22d	Standard End Panel 22d
1	DESK-FBP63.5	Back Panel for 66w Full Desk Shell
1	WORK-24d66w	Standard Work Surface 24d x 66w

66w x 30d Desk Shell		
Qty	Part No.	Description
2	DESK-ENDPANEL28d	Standard End Panel 28d
1	DESK-FBP63.5	Back Panel for 66w Full Desk Shell
1	WORK-30D66w	Standard Work Surface 30d x 66w

72w x 24d Desk Shell		
Qty	Part No.	Description
2	DESK-ENDPANEL22d	Standard End Panel 22d
1	DESK-FBP69.5	Back Panel for 72w Full Desk Shell
1	WORK-24d72w	Standard Work Surface 24d x 72w

72w x 30d Desk Shell		
Qty	Part No.	Description
2	DESK-ENDPANEL28d	Standard End Panel 28d
1	DESK-FBP69.5	Back Panel for 72w Full Desk Shell
1	WORK-30d72w	Standard Work Surface 30d x 72w

Single Pedestal Desks with Full-Height Modesty Panels

- Work surfaces will overhang the desk components by ½” in the front, 1-½” in the back, and ¼” on each side.
- ¾-height and ½-height modesty panels may be substituted for the full-height panels shown in these configurations.
- The modesty panel attaches directly to the pedestal file using self-tapping screws.



Front View



Back View

60w x 24d Single Pedestal Desk		
Qty	Part No.	Description
1	DESK-ENDPANEL22d	Standard End Panel 22d
1	DESK-FBP43.5	Back Panel for 1 Ped 60w Desk
1	PWS27h22d	Supporting Pedestal File 22d
1	WORK-24d60w	Standard Work Surface 24d x 60w

60w x 30d Single Pedestal Desk		
Qty	Part No.	Description
1	DESK-ENDPANEL28d	Standard End Panel 28d
1	DESK-FBP43.5	Back Panel for 1 Ped 60w Desk
1	PWS27h28d	Supporting Pedestal File 28d
1	WORK-30d60w	Standard Work Surface 30d x 60w

66w x 24d Single Pedestal Desk		
Qty	Part No.	Description
1	DESK-ENDPANEL22d	Standard End Panel 22d
1	DESK-FBP49.5	Back Panel for 1 Ped 66w Desk
1	PWS27h22d	Supporting Pedestal File 22d
1	WORK-24d66w	Standard Work Surface 24d x 66w

66w x 30d Single Pedestal Desk		
Qty	Part No.	Description
1	DESK-ENDPANEL28d	Standard End Panel 28d
1	DESK-FBP49.5	Back Panel for 1 Ped 66w Desk
1	PWS27h28d	Supporting Pedestal File 28d
1	WORK-30d66w	Standard Work Surface 30d x 66w

72w x 24d Single Pedestal Desk		
Qty	Part No.	Description
1	DESK-ENDPANEL22d	Standard End Panel 22d
1	DESK-FBP55.5	Back Panel for 1 Ped 72w Desk
1	PWS27h22d	Supporting Pedestal File 22d
1	WORK-24d72w	Standard Work Surface 24d x 72w

72w x 30d Single Pedestal Desk		
Qty	Part No.	Description
1	DESK-ENDPANEL28d	Standard End Panel 28d
1	DESK-FBP55.5	Back Panel for 1 Ped 72w Desk
1	PWS27h28d	Supporting Pedestal File 28d
1	WORK-30d72w	Standard Work Surface 30d x 72w

Double Pedestal Desks with Full-Height Modesty Panels

- Work surfaces will overhang the desk components by ½” in the front, 1-½” in the back, and ¼” on each side.
- ¾-height and ½-height modesty panels may be substituted for the full-height panels shown in these configurations.
- The modesty panel attaches directly to the pedestal files with self-tapping screws.



Front View



Back View

60w x 24d Double Pedestal Desk		
Qty	Part No.	Description
1	DESK-FBP29.5	Back Panel for 2 Ped 60w Desk
2	PWS27h22d	Supporting Pedestal File 22d
1	WORK-24d60w	Standard Work Surface 24d x 60w

60w x 30d Double Pedestal Desk		
Qty	Part No.	Description
1	DESK-FBP29.5	Back Panel for 2 Ped 60w Desk
2	PWS27h28d	Supporting Pedestal File 28d
1	WORK-30d60w	Standard Work Surface 30d x 60w

66w x 24d Double Pedestal Desk		
Qty	Part No.	Description
1	DESK-FBP35.5	Back Panel for 2 Ped 66w Desk
2	PWS27h22d	Supporting Pedestal File 22d
1	WORK-24d66w	Standard Work Surface 24d x 66w

66w x 30d Double Pedestal Desk		
Qty	Part No.	Description
1	DESK-FBP35.5	Back Panel for 2 Ped 66w Desk
2	PWS27h28d	Supporting Pedestal File 28d
1	WORK-30d66w	Standard Work Surface 30d x 66w

72w x 24d Double Pedestal Desk		
Qty	Part No.	Description
1	DESK-FBP41.5	Back Panel for 2 Ped 72w Desk
2	PWS27h22d	Supporting Pedestal File 22d
1	WORK-24d72w	Standard Work Surface 24d x 72w

72w x 30d Double Pedestal Desk		
Qty	Part No.	Description
1	DESK-FBP41.5	Back Panel for 2 Ped 72w Desk
2	PWS27h28d	Supporting Pedestal File 28d
1	WORK-30d72w	Standard Work Surface 30d x 72w

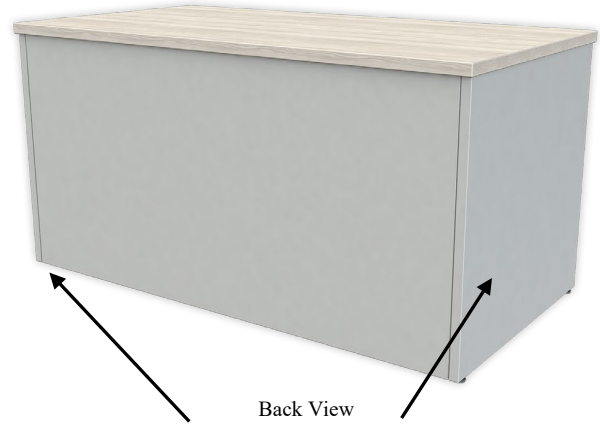
Executive Desk Shells with Double Pedestal Files

- Work surfaces will overhang the desk components by ½” in the front, ½” in the back, and ¼” on each side.
- Pedestal files (work surface supporting or hanging) are ordered separately. Order a 22” deep pedestal file for use with a 24” deep work surface. Order a 28” deep pedestal file for use with a 30” deep work surface.
- Executive end panels are 1” deeper than standard end panels, to allow for the use of an adjacent 22” or 28” deep pedestal file that sits within the desk shell.
- Executive end panels may be used in conjunction with standard return and bridge panels.



Front View

On executive desk shells, the pedestal files sit next to – and inside of – end panels.



Back View

On executive desk shells the modesty panel attaches to the end panels rather than the pedestal files, allowing for a cleaner back side appearance.

60w x 24d Desk Shell with Pedestal Files		
Qty	Part No.	Description
2	DESK-ENDPANEL23d	Executive End Panel 23w
1	DESK-FBP57.5	Back Panel for 60w Full Desk Shell
2	PWS27h22d	Supporting Pedestal File 22d
1	WORK-24d60w	Standard Work Surface 24d x 60w

60w x 30d Desk Shell with Pedestal Files		
Qty	Part No.	Description
2	DESK-ENDPANEL29d	Executive End Panel 29w
1	DESK-FBP57.5	Back Panel for 60w Full Desk Shell
2	PWS27h28d	Supporting Pedestal File 28d
1	WORK-30d60w	Standard Work Surface 30d x 60w

66w x 24d Desk Shell with Pedestal Files		
Qty	Part No.	Description
2	DESK-ENDPANEL23d	Executive End Panel 23w
1	DESK-FBP63.5	Back Panel for 66w Full Desk Shell
2	PWS27h22d	Supporting Pedestal File 22d
1	WORK-24d66w	Standard Work Surface 24d x 66w

66w x 30d Desk Shell with Pedestal Files		
Qty	Part No.	Description
2	DESK-ENDPANEL29d	Executive End Panel 29w
1	DESK-FBP63.5	Back Panel for 66w Full Desk Shell
2	PWS27h28d	Supporting Pedestal File 28d
1	WORK-30d66w	Standard Work Surface 30d x 66w

72w x 24d Desk Shell with Pedestal Files		
Qty	Part No.	Description
2	DESK-ENDPANEL23d	Executive End Panel 23w
1	DESK-FBP69.5	Back Panel for 72w Full Desk Shell
2	PWS27h22d	Supporting Pedestal File 22d
1	WORK-24d72w	Standard Work Surface 24d x 72w

72w x 30d Desk Shell with Pedestal Files		
Qty	Part No.	Description
2	DESK-ENDPANEL29d	Executive End Panel 29w
1	DESK-FBP69.5	Back Panel for 72w Full Desk Shell
2	PWS27h28d	Supporting Pedestal File 28d
1	WORK-30d72w	Standard Work Surface 30d x 72w

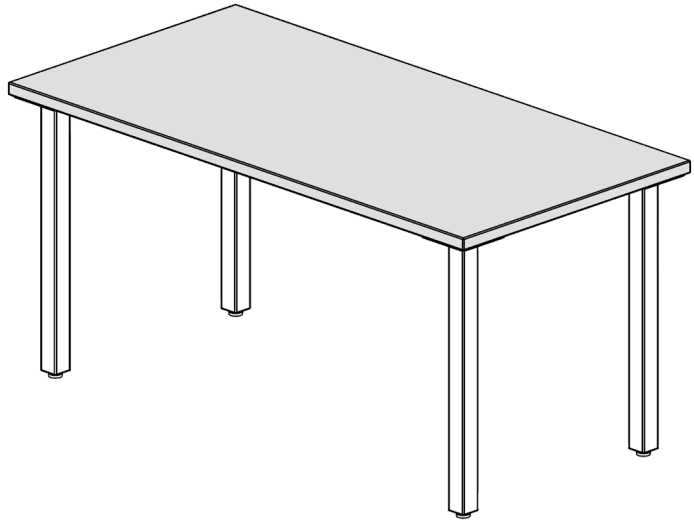
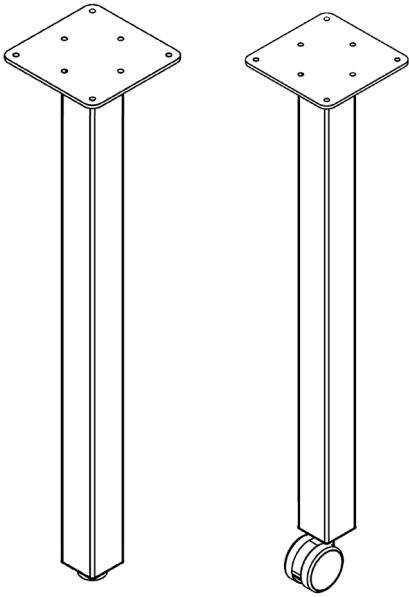
TABLE LEGS

Sitting-Height Table Legs

Square Post Legs - Standard

- 2" square vertical tube
- 5-³/₄" x 5-³/₄" top plate

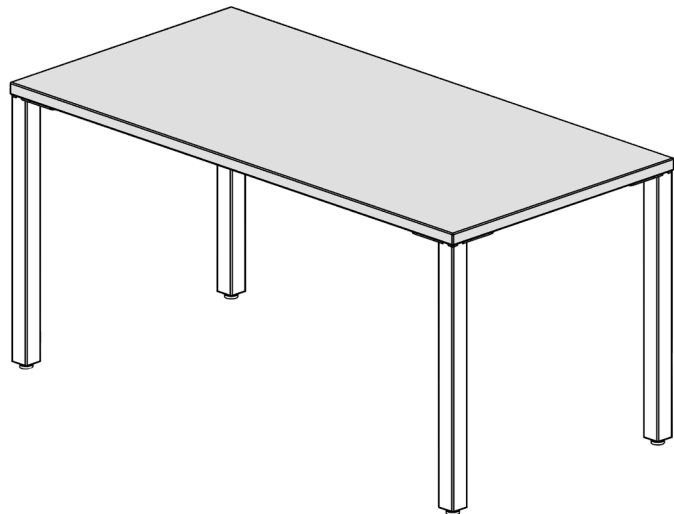
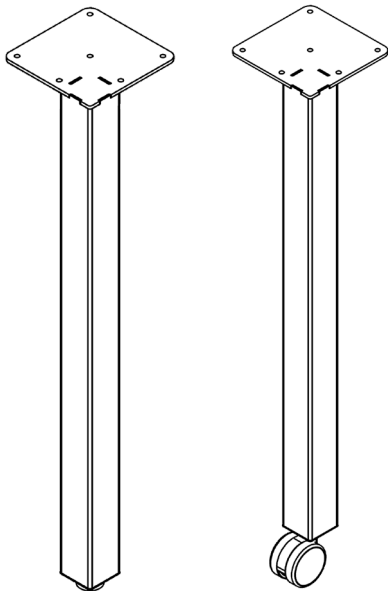
Product No.	Description	H	List Price
POST LEG 2SQ 27h	Leveling glide	27- ³ / ₄	\$126
MB POST LEG 2SQ 27h	60 mm locking caster	27- ³ / ₄	\$173



Square Post Legs - Corner

- 2" square vertical tube
- 5-³/₄" x 5-³/₄" top plate

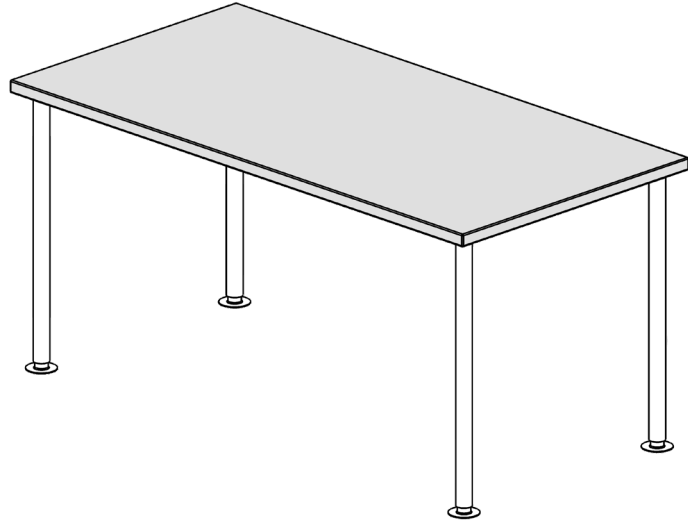
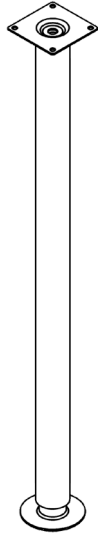
Product No.	Description	H	List Price
POST LEG <u>CRN</u> 2SQ 27h	Leveling glide	27- ³ / ₄	\$146
MB POST LEG <u>CRN</u> 2SQ 27h	60 mm locking caster	27- ³ / ₄	\$193



Round Legs

- Economical table leg made from 2" round tube
- Brushed nickel finish (may not be painted) and 4" x 4" top plate
- Adjustable bottom foot allows for $\frac{5}{8}$ " of height adjustability (from 27- $\frac{5}{8}$ " to 28- $\frac{1}{4}$ ")

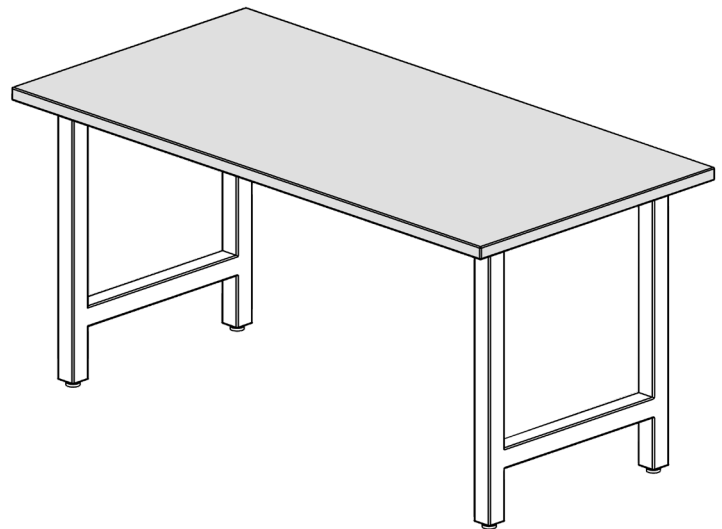
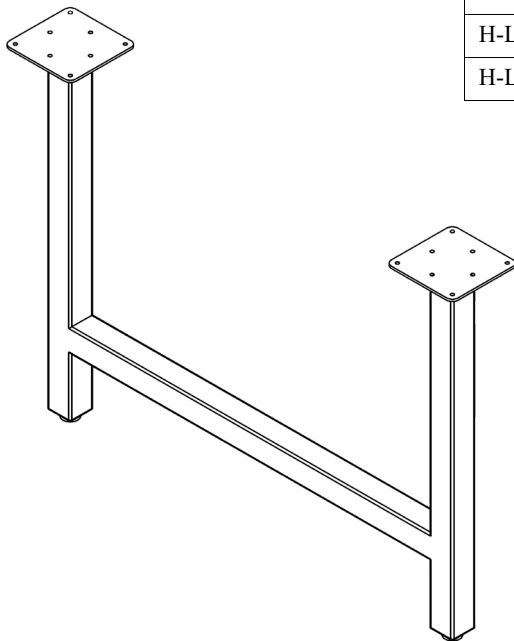
Product No.	H	List Price
OP-RDLEG27.75	27- $\frac{5}{8}$ " to 28- $\frac{1}{4}$ "	\$50



H-Legs

- 2" square tubes / leveling glides
- 5- $\frac{3}{4}$ " x 5- $\frac{3}{4}$ " top plate

Product No.	Description	H	D*	List Price
H-LEG27h17d	H-Leg for 24d surfaces*	27- $\frac{3}{4}$	17 (21)	\$308
H-LEG27h23d	H-Leg for 30d surfaces*	27- $\frac{3}{4}$	23 (27)	\$323
H-LEG27h29d	H-Leg for 36d surfaces*	27- $\frac{3}{4}$	29 (33)	\$347
H-LEG27h35d	H-Leg for 42d surfaces*	27- $\frac{3}{4}$	35 (39)	\$378

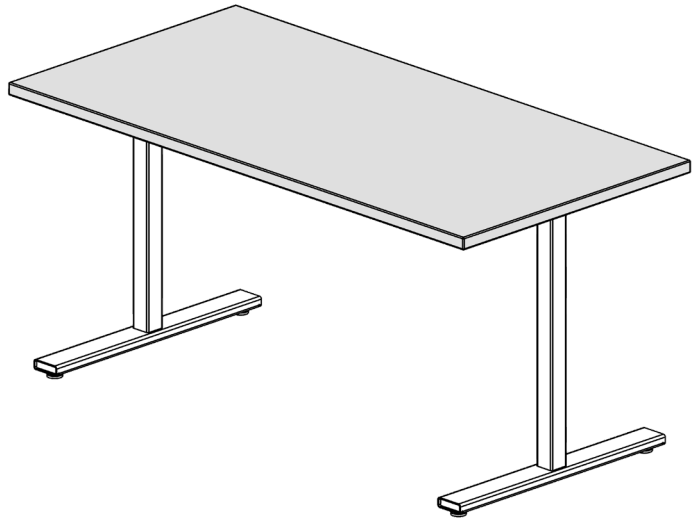
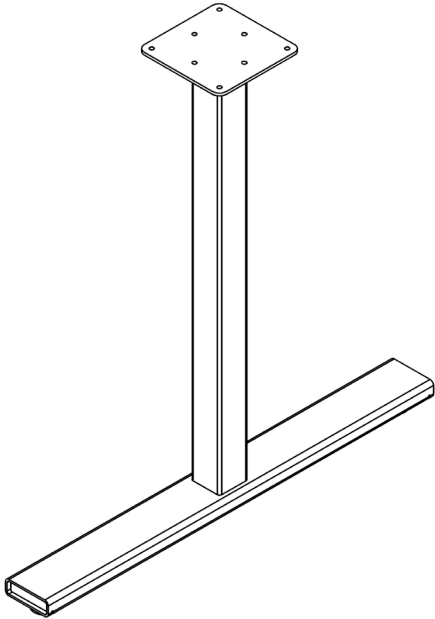


* **▲ IMPORTANT:** H-Leg depths are based on the outside edges of the tubes. The top plates are centered on the tubes and add 4" to the overall depths. For example, an H-LEG27h17d has a depth of 17" based on the outside edges of the tubes, but that depth grows to 21" when measured from the outside edges of the two top plates. For this reason, the depth of the work surface must be at least 4" greater than the nominal depth of the chosen H-Leg. For example, an H-LEG27h17d must be used with a work surface that is at least 21" deep.

T-Legs

- 2" square vertical tube
- 3" x 1" rectangular tube foot
- Leveling glides
- 5-³/₄" x 5-³/₄" top plate

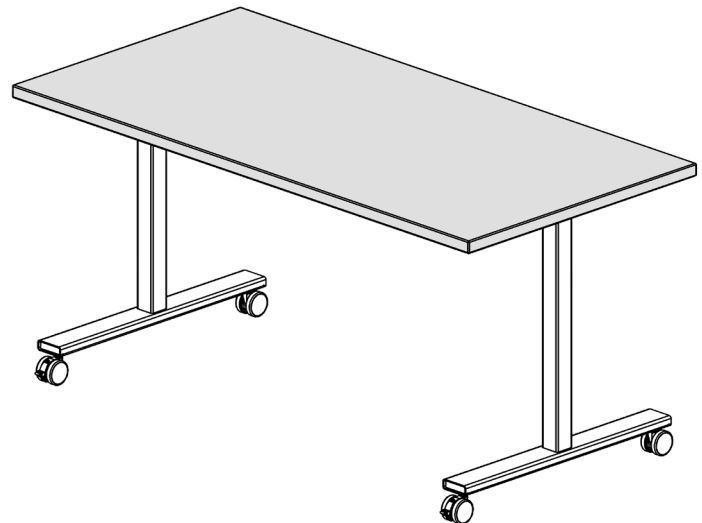
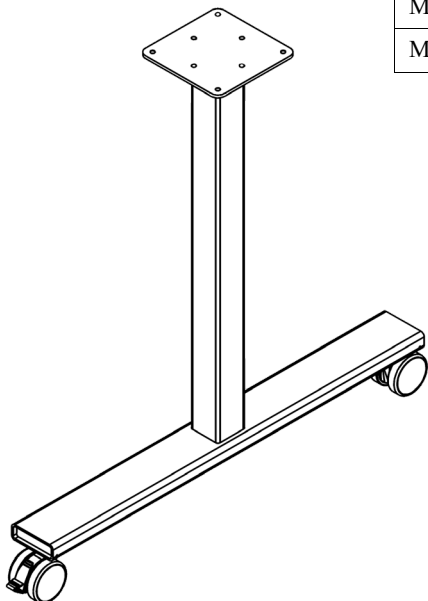
Product No.	Description	H	D	List Price
T-LEG27h15d	T-Leg for 18d surfaces	27- ³ / ₄	15	\$229
T-LEG27h21d	T-Leg for 24d surfaces	27- ³ / ₄	21	\$252
T-LEG27h27d	T-Leg for 30d surfaces	27- ³ / ₄	27	\$292



T-Legs - Mobile

- 60 mm casters (1 locking)

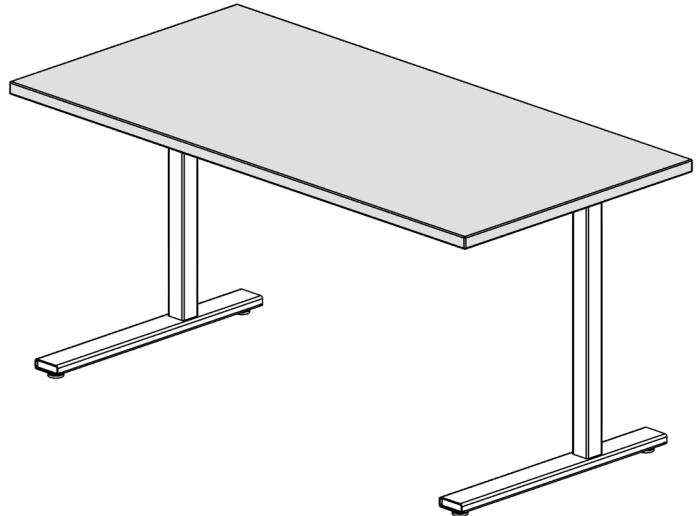
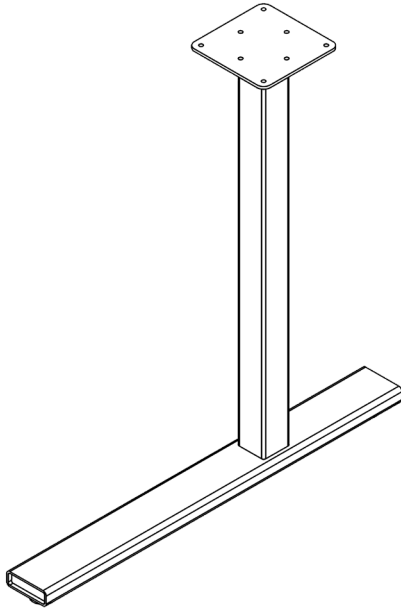
Product No.	Description	H	D	List Price
MBT-LEG27h15d	Mobile T-Leg for 18d surfaces	27- ³ / ₄	15	\$323
MBT-LEG27h21d	Mobile T-Leg for 24d surfaces	27- ³ / ₄	21	\$347
MBT-LEG27h27d	Mobile T-Leg for 30d surfaces	27- ³ / ₄	27	\$386



C-Legs

- 2" square vertical tube
- 3" x 1" rectangular tube foot
- Leveling glides
- 5-³/₄" x 5-³/₄" top plate

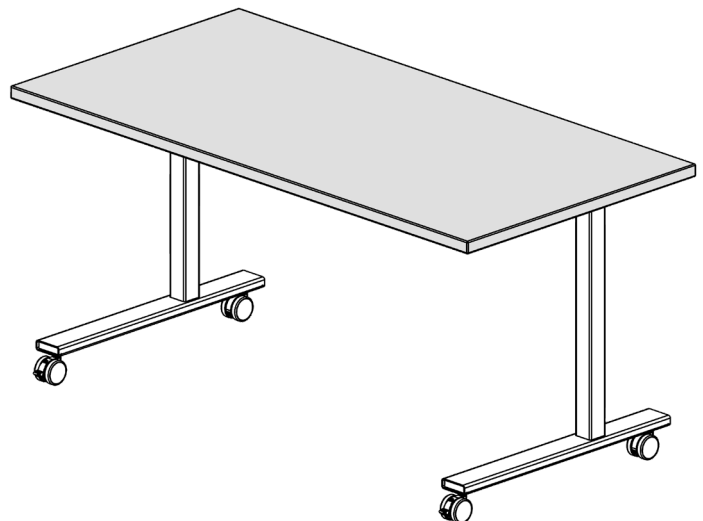
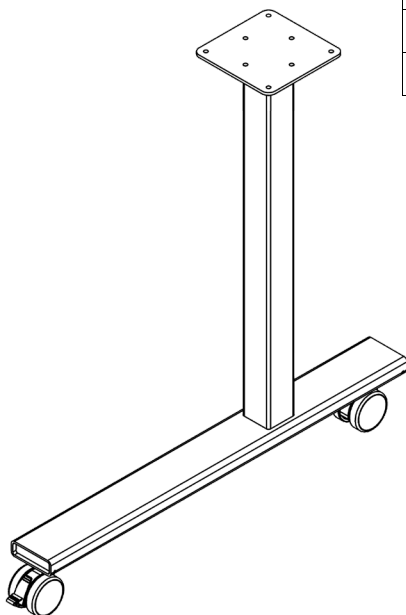
Product No.	Description	H	D	List Price
C-LEG27h15d	C-Leg for 18d surfaces	27- ³ / ₄	15	\$229
C-LEG27h21d	C-Leg for 24d surfaces	27- ³ / ₄	21	\$252
C-LEG27h27d	C-Leg for 30d surfaces	27- ³ / ₄	27	\$292



C-Legs - Mobile

- 60 mm casters (1 locking)

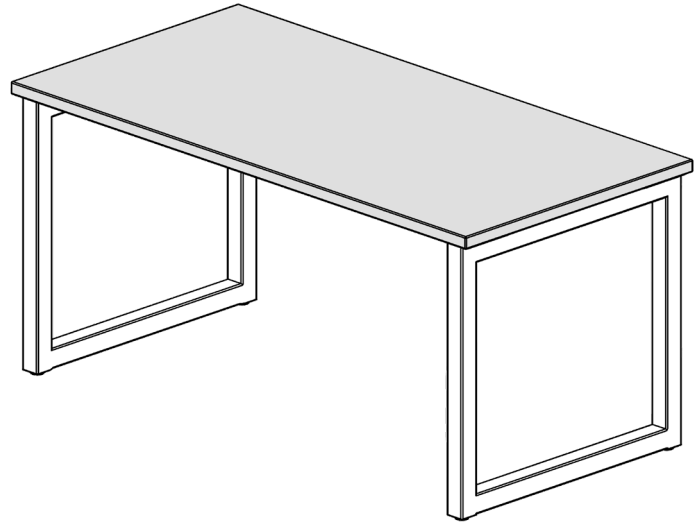
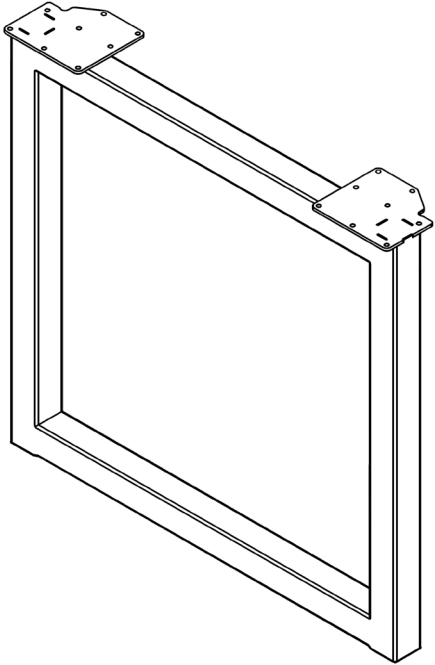
Product No.	Description	H	D	List Price
MBC-LEG27h15d	Mobile C-Leg for 18d surfaces	27- ³ / ₄	15	\$323
MBC-LEG27h21d	Mobile C-Leg for 24d surfaces	27- ³ / ₄	21	\$347
MBC-LEG27h27d	Mobile C-Leg for 30d surfaces	27- ³ / ₄	27	\$386



O-Legs

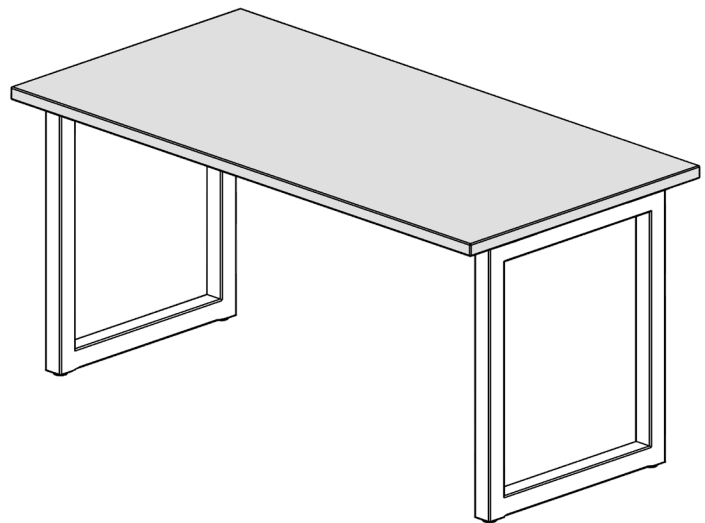
- 2" square tubes
- Leveling glides
- 5-³/₄" x 5-¹/₈" top plates

Product No.	Description*	H	D	List Price
O-LEG27h17d	O-Leg for 18d or 24d surfaces	27- ³ / ₄	17	\$347
O-LEG27h23d	O-Leg for 24d or 30d surfaces	27- ³ / ₄	23	\$363
O-LEG27h29d	O-Leg for 30d or 36d surfaces	27- ³ / ₄	29	\$386
O-LEG27h35d	O-Leg for 36d or 42d surfaces	27- ³ / ₄	35	\$418



O-LEG27H29D with 30" deep work surface

NOTE: O-Legs must be inset from the ends of a work surface by a minimum of ³/₄" to allow for attachment of the top plates.



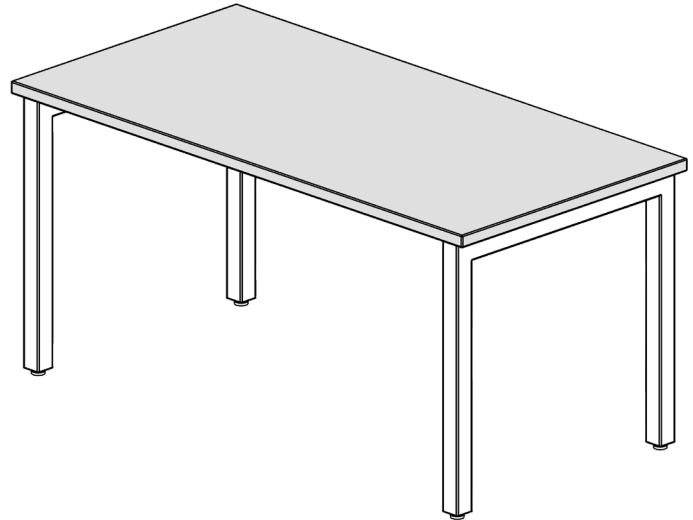
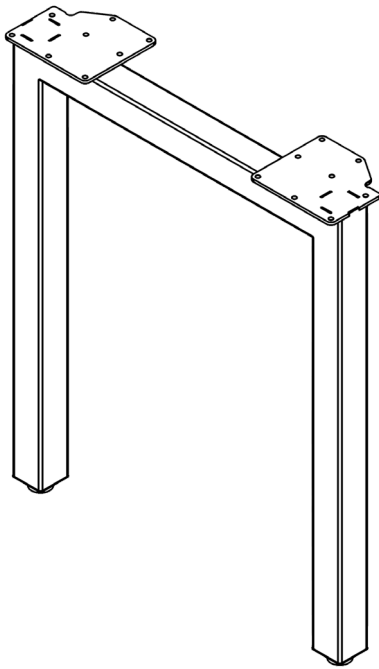
O-LEG27H23D with 30" deep work surface

* **Note Regarding Leg and Work Surface Depths:** Depending on the desired appearance, a particular O-Leg may be used for two different work surface depths as noted in the descriptions. The appearance difference is illustrated in the line drawings above.

U-Legs

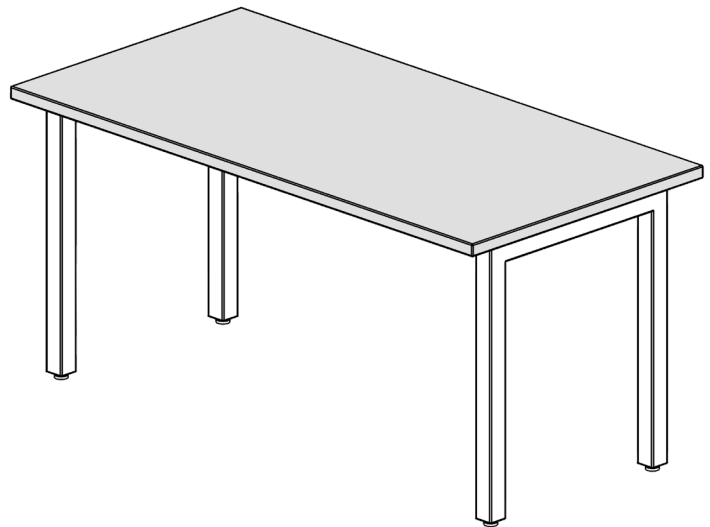
- 2" square tubes
- Leveling glides
- 5-³/₄" x 5-¹/₈" top plates

Product No.	Description*	H	D	List Price
U-LEG27h17d	U-Leg for 18d or 24d surfaces	27- ³ / ₄	17	\$308
U-LEG27h23d	U-Leg for 24d or 30d surfaces	27- ³ / ₄	23	\$323
U-LEG27h29d	U-Leg for 30d or 36d surfaces	27- ³ / ₄	29	\$347
U-LEG27h35d	U-Leg for 36d or 42d surfaces	27- ³ / ₄	35	\$378



U-LEG27H29D with 30" deep work surface

NOTE: U-Legs must be inset from the ends of a work surface by a minimum of ³/₄" to allow for attachment of the top plates.



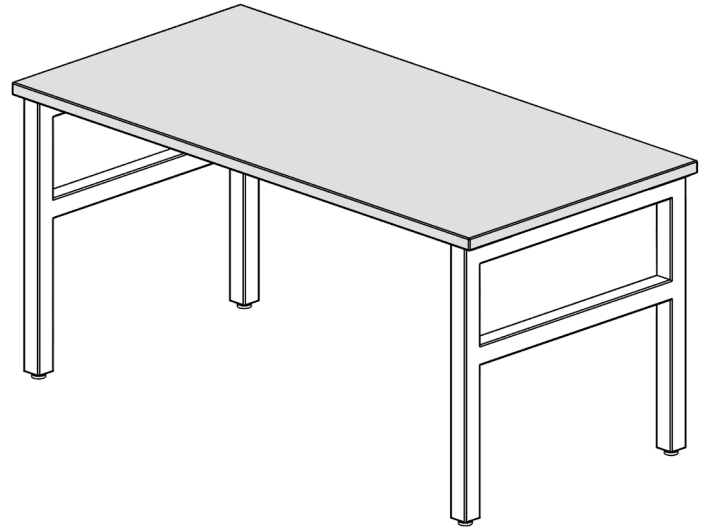
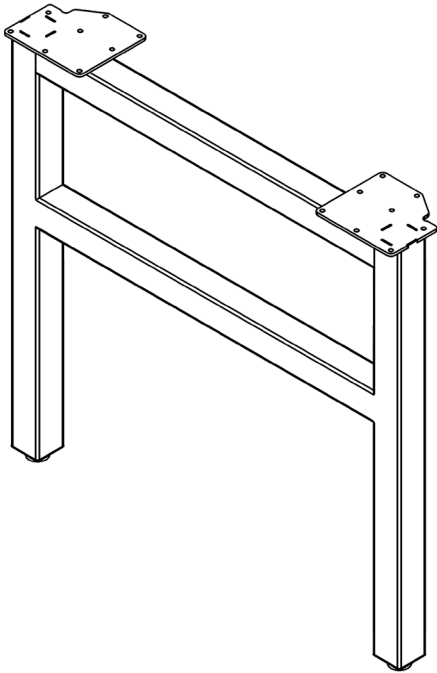
U-LEG27H23D with 30" deep work surface

* **Note Regarding Leg and Work Surface Depths:** Depending on the desired appearance, a particular U-Leg may be used for two different work surface depths as noted in the descriptions. The appearance difference is illustrated in the line drawings above.

A-Legs

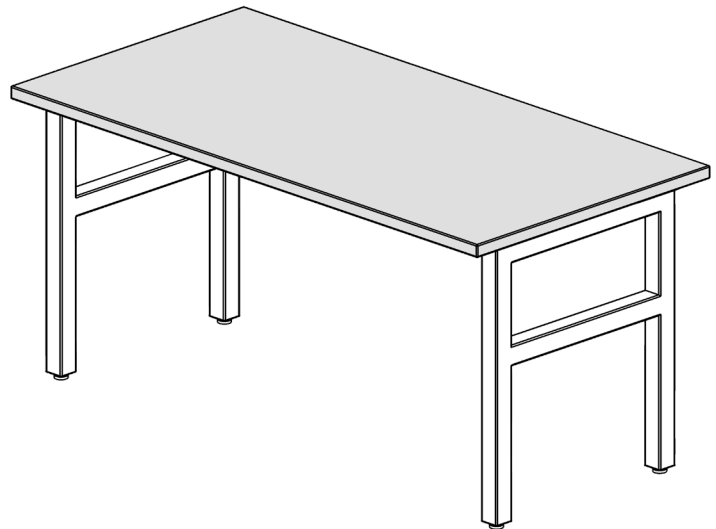
- 2" square tubes
- Leveling glides
- 5-³/₄" x 5-¹/₈" top plates

Product No.	Description*	H	D	List Price
A-LEG27h17d	A-Leg for 18d or 24d surfaces	27- ³ / ₄	17	\$347
A-LEG27h23d	A-Leg for 24d or 30d surfaces	27- ³ / ₄	23	\$363
A-LEG27h29d	A-Leg for 30d or 36d surfaces	27- ³ / ₄	29	\$386
A-LEG27h35d	A-Leg for 36d or 42d surfaces	27- ³ / ₄	35	\$418



A-LEG27H29D with 30" deep work surface

NOTE: A-Legs must be inset from the ends of a work surface by a minimum of ³/₄" to allow for attachment of the top plates.



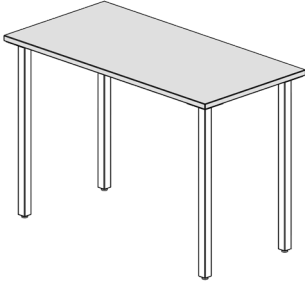
A-LEG27H23D with 30" deep work surface

* **Note Regarding Leg and Work Surface Depths:** Depending on the desired appearance, a particular A-Leg may be used for two different work surface depths as noted in the descriptions. The appearance difference is illustrated in the line drawings above.

Standing-Height Table Legs

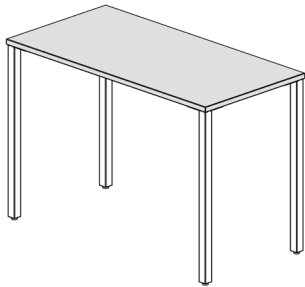
Post Legs, H-Legs, O-Legs, U-Legs and A-Legs may also be ordered in a standing-height of 39.5". These extended-height legs may be used with any standard 3-high Metal Arc lateral file, storage cabinet, or bookcase to create a standing-height work area.

Post Leg – Standard



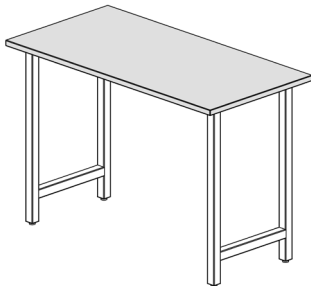
Product No.	H	List Price
POST LEG 2SQ 39h	39-1/2	\$185

Post Leg – Corner



Product No.	H	List Price
POST LEG CRN 2SQ 39h	39-1/2	\$205

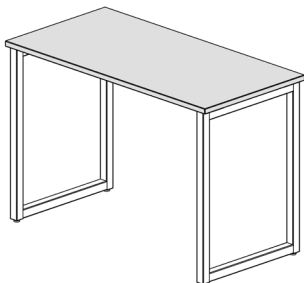
H-Legs



Product No.	Description	H	D	List Price
H-LEG39h17d	H-Leg for 24d surfaces*	39-1/2	17 (21)	\$426
H-LEG39h23d	H-Leg for 30d surfaces*	39-1/2	23 (27)	\$441
H-LEG39h29d	H-Leg for 36d surfaces*	39-1/2	29 (33)	\$465
H-LEG39h35d	H-Leg for 42d surfaces*	39-1/2	35 (39)	\$497

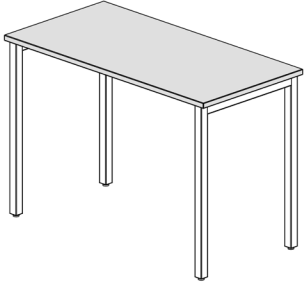
* **▲ IMPORTANT:** The depth of the work surface must be at least 4" greater than the nominal depth of the chosen H-Leg. For example, an H-LEG39h17d must be used with a work surface that is at least 21" deep.

O-Legs



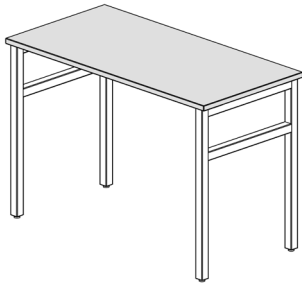
Product No.	Description	H	D	List Price
O-LEG39h17d	O-Leg for 18d or 24d surfaces	39-1/2	17	\$465
O-LEG39h23d	O-Leg for 24d or 30d surfaces	39-1/2	23	\$481
O-LEG39h29d	O-Leg for 30d or 36d surfaces	39-1/2	29	\$504
O-LEG39h35d	O-Leg for 36d or 42d surfaces	39-1/2	35	\$536

U-Legs



Product No.	Description	H	D	List Price
U-LEG39h17d	U-Leg for 18d or 24d surfaces	39-1/2	17	\$426
U-LEG39h23d	U-Leg for 24d or 30d surfaces	39-1/2	23	\$441
U-LEG39h29d	U-Leg for 30d or 36d surfaces	39-1/2	29	\$465
U-LEG39h35d	U-Leg for 36d or 42d surfaces	39-1/2	35	\$497

A-Legs



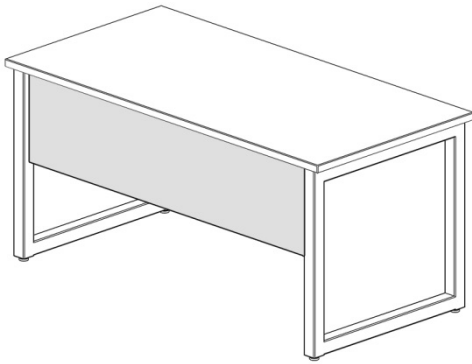
Product No.	Description	H	D	List Price
A-LEG39h17d	A-Leg for 18d or 24d surfaces	39-1/2	17	\$465
A-LEG39h23d	A-Leg for 24d or 30d surfaces	39-1/2	23	\$481
A-LEG39h29d	A-Leg for 30d or 36d surfaces	39-1/2	29	\$504
A-LEG39h35d	A-Leg for 36d or 42d surfaces	39-1/2	35	\$536



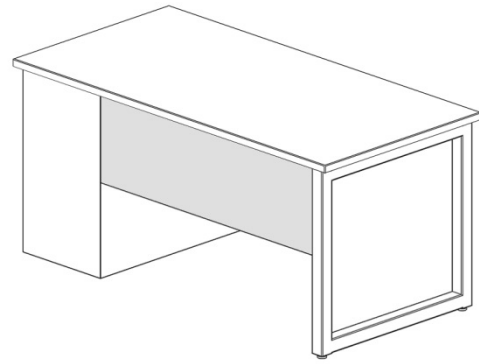
Modesty Panels for Table Legs

Standard Modesty Panels

Product No.	Description	H	W	List Price
MOD30	Modesty Panel for 36w 2-Leg Desk or 1 Leg/1 Ped 48w Desk	13- ¹ / ₂	29- ³ / ₄	\$136
MOD36	Modesty Panel for 42w 2-Leg Desk or 1 Leg/1 Ped 54w Desk	13- ¹ / ₂	35- ³ / ₄	\$152
MOD42	Modesty Panel for 48w 2-Leg Desk or 1 Leg/1 Ped 60w Desk	13- ¹ / ₂	41- ³ / ₄	\$168
MOD48	Modesty Panel for 54w 2-Leg Desk or 1 Leg/1 Ped 66w Desk	13- ¹ / ₂	47- ³ / ₄	\$184
MOD54	Modesty Panel for 60w 2-Leg Desk or 1 Leg/1 Ped 72w Desk	13- ¹ / ₂	53- ³ / ₄	\$201
MOD60	Modesty Panel for 66w 2-Leg Desk	13- ¹ / ₂	59- ³ / ₄	\$216
MOD66	Modesty Panel for 72w 2-Leg Desk	13- ¹ / ₂	65- ³ / ₄	\$233



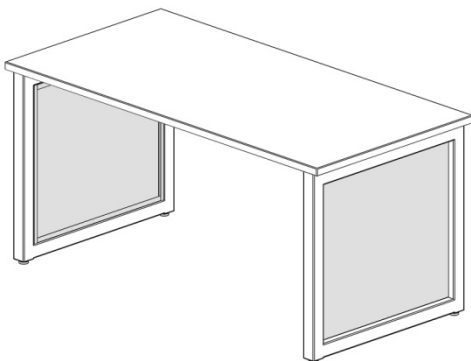
MOD54 with (2) O-LEG27H29D



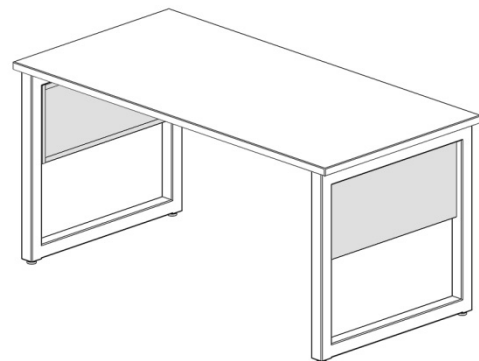
MOD42 with (1) O-LEG27H29D & (1) Ped

Product No.	Description	H	D	List Price
MOD END FULL 17	Full-height modesty panel for 17d O-Leg or U-Leg	22- ¹⁵ / ₁₆	13	\$125
MOD END FULL 23	Full-height modesty panel for 23d O-Leg or U-Leg	22- ¹⁵ / ₁₆	19	\$141
MOD END FULL 29	Full-height modesty panel for 29d O-Leg or U-Leg	22- ¹⁵ / ₁₆	25	\$157
MOD END FULL 35	Full-height modesty panel for 35d O-Leg or U-Leg	22- ¹⁵ / ₁₆	31	\$174

MOD END HALF 17	Half-height modesty panel for 17d O-Leg or U-Leg	11- ⁵ / ₁₆	13	\$114
MOD END HALF 23	Half-height modesty panel for 23d O-Leg or U-Leg	11- ⁵ / ₁₆	19	\$130
MOD END HALF 29	Half-height modesty panel for 29d O-Leg or U-Leg	11- ⁵ / ₁₆	25	\$146
MOD END HALF 35	Half-height modesty panel for 35d O-Leg or U-Leg	11- ⁵ / ₁₆	31	\$163



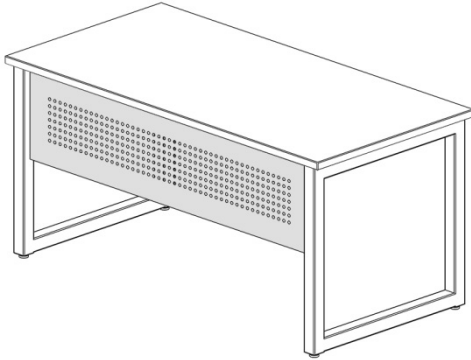
(2) **MOD END FULL 29** in (2) O-LEG27H29D



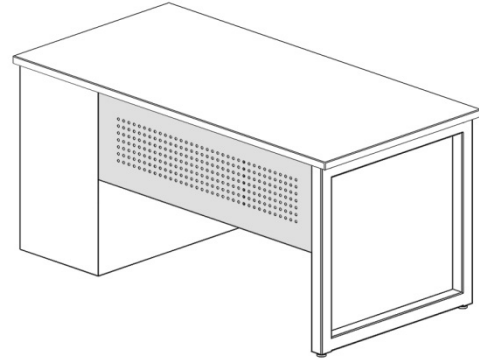
(2) **MOD END HALF 29** in (2) O-LEG27H29D

Perforated Modesty Panels

Product No.	Description	H	W	List Price
MOD30 PERF	Modesty Panel for 36w 2-Leg Desk or 1 Leg/1 Ped 48w Desk	13- ¹ / ₂	29- ³ / ₄	\$189
MOD36 PERF	Modesty Panel for 42w 2-Leg Desk or 1 Leg/1 Ped 54w Desk	13- ¹ / ₂	35- ³ / ₄	\$206
MOD42 PERF	Modesty Panel for 48w 2-Leg Desk or 1 Leg/1 Ped 60w Desk	13- ¹ / ₂	41- ³ / ₄	\$222
MOD48 PERF	Modesty Panel for 54w 2-Leg Desk or 1 Leg/1 Ped 66w Desk	13- ¹ / ₂	47- ³ / ₄	\$238
MOD54 PERF	Modesty Panel for 60w 2-Leg Desk or 1 Leg/1 Ped 72w Desk	13- ¹ / ₂	53- ³ / ₄	\$254
MOD60 PERF	Modesty Panel for 66w 2-Leg Desk	13- ¹ / ₂	59- ³ / ₄	\$271
MOD66 PERF	Modesty Panel for 72w 2-Leg Desk	13- ¹ / ₂	65- ³ / ₄	\$287



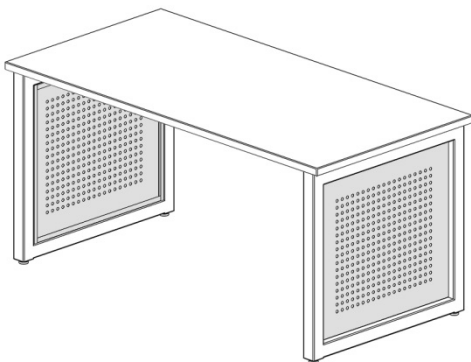
MOD54 PERF with (2) O-LEG27H29D



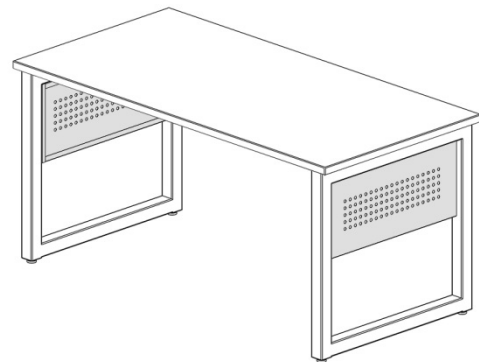
MOD42 PERF with (1) O-LEG27H29D & (1) Ped

Product No.	Description	H	D	List Price
MOD END FULL 17 PERF	Full-height modesty panel for 17d O-Leg or U-Leg	22- ¹⁵ / ₁₆	13	\$179
MOD END FULL 23 PERF	Full-height modesty panel for 23d O-Leg or U-Leg	22- ¹⁵ / ₁₆	19	\$195
MOD END FULL 29 PERF	Full-height modesty panel for 29d O-Leg or U-Leg	22- ¹⁵ / ₁₆	25	\$212
MOD END FULL 35 PERF	Full-height modesty panel for 35d O-Leg or U-Leg	22- ¹⁵ / ₁₆	31	\$227

MOD END HALF 17 PERF	Half-height modesty panel for 17d O-Leg or U-Leg	11- ⁵ / ₁₆	13	\$168
MOD END HALF 23 PERF	Half-height modesty panel for 23d O-Leg or U-Leg	11- ⁵ / ₁₆	19	\$184
MOD END HALF 29 PERF	Half-height modesty panel for 29d O-Leg or U-Leg	11- ⁵ / ₁₆	25	\$201
MOD END HALF 35 PERF	Half-height modesty panel for 35d O-Leg or U-Leg	11- ⁵ / ₁₆	31	\$216



(2) **MOD END FULL 29 PERF** in (2) O-LEG27H29D



(2) **MOD END HALF 29 PERF** in (2) O-LEG27H29D

Information Regarding Modesty Panel Spacing and Installation

Desks with Two Legs

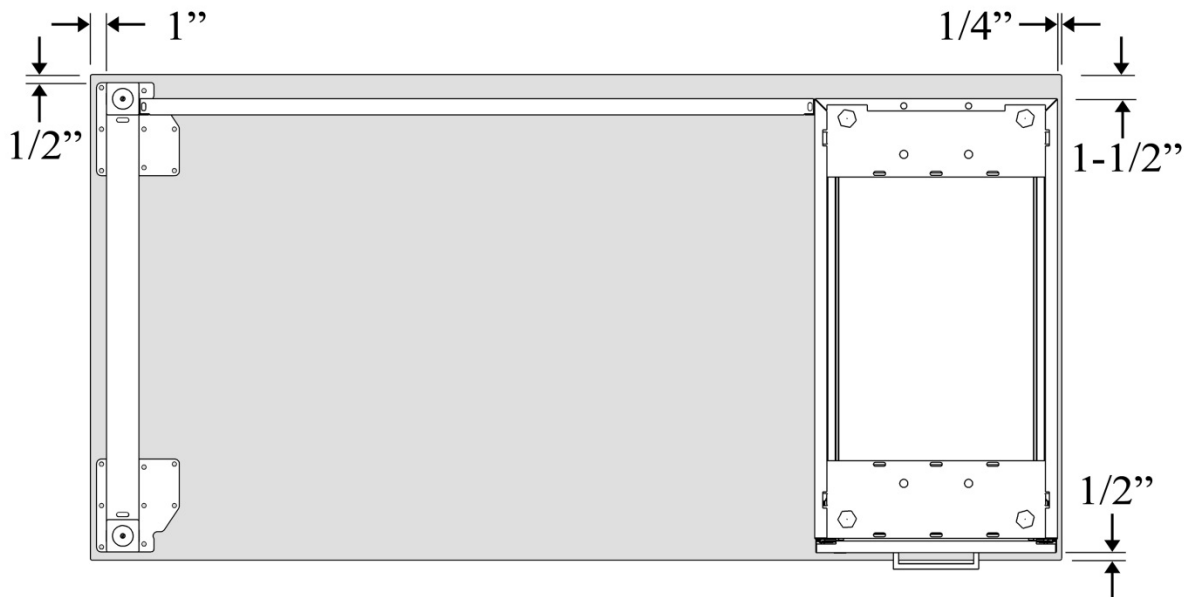
When building a desk with a modesty panel and two legs, each leg will be inset from the work surface by $1\frac{1}{8}$ " on each end. Modesty panels are designed to screw directly into the desk legs using # 10 self-drilling screws (not included).



Desks with One Leg and One Work Surface Support Ped

When building a desk with a modesty panel that connects a pedestal file to a leg, the pedestal file will be inset from the end of the work surface by $\frac{1}{4}$ ". The leg will be inset from the end by 1".

From front-to-back, the leg will be inset $\frac{1}{2}$ " on each side, as shown below. The pedestal file will be set back $\frac{1}{2}$ " from the front of the work surface. Modesty panels are designed to screw directly into both the desk legs and pedestal files using # 10 self-drilling screws (not included).



HEIGHT-ADJUSTABLE TABLES

Easy Table Bases

Metal Arc’s “Easy” line of table bases provides an economical solution for those seeking a basic height-adjustable table with minimal options. For simple installation, Easy tables come standard with the feet and surface supports already attached to the leg assembly.

FEATURES

- T-shaped base with leveling glides
- Up/Down hand switch*
- Meets BIFMA X5.5 standards / UL 962 approved
- Maximum load (including surface) of 250 pounds
- Height range of 27” to 46” (including surface)
- Base depth of 23” supports both 24” and 30” deep surfaces
- Compatible with surfaces from 36” to 72” wide; anti-sag bar recommended for surfaces 60” and greater in width
- Available in one of three powder coat paint finishes:
 - **Black** (SC Low Gloss Black - 4710)
 - **Silver** (SC Platinum Metallic - PM)
 - **White** (KB Designer White - 405)



Product No.	Color	Box Size	Pkg Wt	List Price
ESS2-SR-2430-T-UD-4710	Black	34 x 13 x 13	44 lbs	\$900
ESS2-SR-2430-T-UD-PM	Silver	34 x 13 x 13	44 lbs	\$900
ESS2-SR-2430-T-UD-405	White	34 x 13 x 13	44 lbs	\$900

* Programmable hand switches may be ordered separately for Easy bases. Please contact sales@metalarcinc.com for more information.

Choices Table Bases

Choices bases are distinguished by their flexibility. Unlike the basic features for the Easy table bases, a Choices base can be specified with a variety of options as described below.

FEATURES

- Independent legs for surfaces 60” or less; anti-sag bar recommended for surfaces over 60” wide
- Meets BIFMA X5.5 standards / UL 962 approved
- Maximum load (including surface) of 250 pounds for two-leg tables and 325 pounds for three-leg tables
- Height range of 28” to 47” (including surface)
- Two-leg bases can support 36” to 84” wide work surfaces; anti-sag bar recommended for surfaces over 60” wide
- Three-leg bases can support both 90-degree and 120-degree layouts.

OPTIONS

- 24” or 30” deep table bases / T-leg or C-leg bases
- Up/Down hand switch or four-position programmable hand switch
- Several standard colors – see page 36.

2-LEG BASES

Product No.	Features	Box Size	Pkg Wt	List Price
CLE2-SSE-24-C-PGM	24d Surfaces / C-Legs / Programmable Switch	35 x 12 x 9	37 lbs	\$1,154
CLE2-SSE-24-C-UD	24d Surfaces / C-Legs / Up/Down Switch	35 x 12 x 9	37 lbs	\$1,108
CLE2-SSE-24-T-PGM	24d Surfaces / T-Legs / Programmable Switch	35 x 12 x 9	37 lbs	\$1,154
CLE2-SSE-24-T-UD	24d Surfaces / T-Legs / Up/Down Switch	35 x 12 x 9	37 lbs	\$1,108

CLE2-SSE-30-C-PGM	30d Surfaces / C-Legs / Programmable Switch	35 x 12 x 9	38 lbs	\$1,190
CLE2-SSE-30-C-UD	30d Surfaces / C-Legs / Up/Down Switch	35 x 12 x 9	38 lbs	\$1,143
CLE2-SSE-30-T-PGM	30d Surfaces / T-Legs / Programmable Switch	35 x 12 x 9	38 lbs	\$1,190
CLE2-SSE-30-T-UD	30d Surfaces / T-Legs / Up/Down Switch	35 x 12 x 9	38 lbs	\$1,143



3-LEG BASES

Product No.	Features	Box Size	Pkg Wt	List Price
CLE3-SSE-24-C-PGM	24d Surfaces / C-Legs / Programmable Switch	2 boxes	61 lbs	\$1,508
CLE3-SSE-24-C-UD	24d Surfaces / C-Legs / Up/Down Switch	2 boxes	61 lbs	\$1,461
CLE3-SSE-24-T-PGM	24d Surfaces / T-Legs / Programmable Switch	2 boxes	61 lbs	\$1,508
CLE3-SSE-24-T-UD	24d Surfaces / T-Legs / Up/Down Switch	2 boxes	61 lbs	\$1,461
CLE3-SSE-2430-C-PGM	24d/30d Surfaces / C-Legs / Programmable Switch	2 boxes	61 lbs	\$1,561
CLE3-SSE-2430-C-UD	24d/30d Surfaces / C-Legs / Up/Down Switch	2 boxes	61 lbs	\$1,515
CLE3-SSE-2430-T-PGM	24d/30d Surfaces / T-Legs / Programmable Switch	2 boxes	61 lbs	\$1,561
CLE3-SSE-2430-T-UD	24d/30d Surfaces / T-Legs / Up/Down Switch	2 boxes	61 lbs	\$1,515
CLE3-SSE-30-C-PGM	30d Surfaces / C-Legs / Programmable Switch	2 boxes	61 lbs	\$1,543
CLE3-SSE-30-C-UD	30d Surfaces / C-Legs / Up/Down Switch	2 boxes	61 lbs	\$1,497
CLE3-SSE-30-T-PGM	30d Surfaces / T-Legs / Programmable Switch	2 boxes	61 lbs	\$1,543
CLE3-SSE-30-T-UD	30d Surfaces / T-Legs / Up/Down Switch	2 boxes	61 lbs	\$1,497

Notes:

- “2430” part numbers contain one 24d and one 30d leg.
- 3-leg bases are packaged in two boxes: Box 1 (35 x 12 x 9; 38 lbs.) and Box 2 (28 x 13 x 7; 23 lbs.)



Saw-Horse Table Bases

Saw-Horse table bases provide a stylish alternative to the traditional height-adjustable table. With its angled column and modern design, the Saw-Horse base is the perfect choice for a contemporary office environment.

FEATURES

- Built-in wire management and stiffener
- 20-degree angled column
- Four-position programmable hand switch
- Several standard colors – see page 36.
- Base depth of 24-¹/₂” supports both 24” and 30” deep surfaces
- Maximum load (including surface) of 225 pounds
- Height range of 28” – 45-³/₄” (including surface)
- Compatible with surfaces from 48” – 84” wide; stiffener rail included



Product No.	Description	Box Size	Pkg Wt	List Price
SAW48-4710	Inverted-Y Base for 48w Tables - Black	40 x 12 x 9	55 lbs	\$1,470
SAW48-PM	Inverted-Y Base for 48w Tables - Silver	40 x 12 x 9	55 lbs	\$1,470
SAW48-405	Inverted-Y Base for 48w Tables - White	40 x 12 x 9	55 lbs	\$1,470

SAW54-72-4710	Inverted-Y Base for 54w to 72w Tables - Black	40 x 12 x 9	60 lbs	\$1,564
SAW54-72-PM	Inverted-Y Base for 54w to 72w Tables - Silver	40 x 12 x 9	60 lbs	\$1,564
SAW54-72-405	Inverted-Y Base for 54w to 72w Tables - White	40 x 12 x 9	60 lbs	\$1,564

Modesty Panels for Height-Adjustable Bases

Steel modesty panels mount to the underside of a work surface to provide privacy for an end user. Steel modesty panels are 13.5” high and can be ordered in several standard paint colors to match a corresponding table base.

Please note that steel modesty panels are 2” shorter than the nominal surface width and are designed to be inset 1” on each side (e.g., a modesty panel for a 48” work surface has an actual width of 46”).

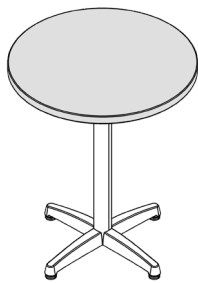
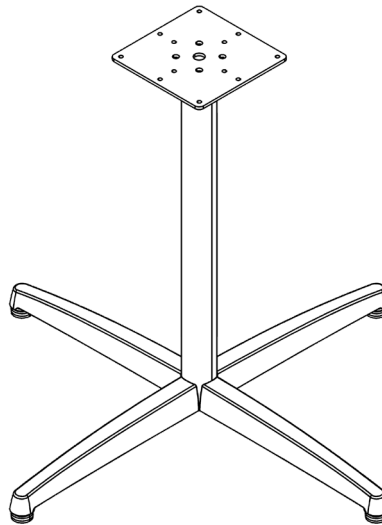
Product No.	Description	List Price
HATMOD34	Steel Modesty Panel for 36w Surfaces	\$216
HATMOD40	Steel Modesty Panel for 42w Surfaces	\$226
HATMOD46	Steel Modesty Panel for 48w Surfaces	\$236
HATMOD52	Steel Modesty Panel for 54w Surfaces	\$246
HATMOD58	Steel Modesty Panel for 60w Surfaces	\$257
HATMOD64	Steel Modesty Panel for 66w Surfaces	\$267
HATMOD70	Steel Modesty Panel for 72w Surfaces	\$277



X-BASES FOR SQUARE & ROUND SURFACES

X-Bases provide an attractive yet economical solution for round and square surfaces. X-Bases feature cast aluminum feet and a steel column made from 13-gauge round tubing ($2\frac{1}{4}$ " diameter). Surfaces are sold separately.

Product No.	Recommended Max Top Depth	Base Spread	H	Pkg Wt	List Price
XCAST-BASE27h20d	24" square or round	20" x 20"	27 ^{-3/4}	16	\$640
XCAST-BASE27h26d	30" square or 36" round	26" x 26"	27 ^{-3/4}	17	\$660
XCAST-BASE27h33d	36" square or 42" round	33 ^{-1/4} x 33 ^{-1/4}	27 ^{-3/4}	18	\$685
XCAST-BASE27h38d	42" square or 54" round	38 ^{-1/4} x 38 ^{-1/4}	27 ^{-3/4}	24	\$840



XCAST-BASE27h20d with 24" round surface



XCAST-BASE27h26d with 30" round surface



XCAST-BASE27h33d with 36" round surface



XCAST-BASE27h38d with 42" round surface

CENTER DRAWERS

Metal Center Drawer

Product No.	H	W	D	Pkg Wt	List Price
CENDRWMTL	2-7/8	19-1/8	17-1/8	8 lbs	\$230



- All steel construction
- Mounts to underside of work surface
- Full-extension, ball-bearing drawer slides with quick disconnect and anti-rebound features
- Choice of numerous paint colors
- Choice of several lock styles



Plastic Center Drawer

Product No.	H	W	D	Pkg Wt	List Price
CENDRKV75	2	21-1/2	16	4 lbs	\$125

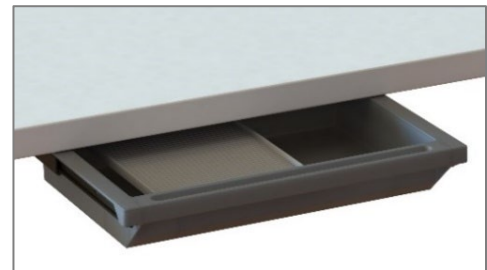
- Economical drawer made of black plastic
- Mounts to underside of work surface
- 3/4-extension, ball bearing drawer slides
- Non-locking



Mini Plastic Center Drawer

- Black plastic drawer with removable tray
- Shallow depth will not interfere with hat channel supports
- Interior dimensions of 11-1/2" wide x 6-1/2" deep x 2" high
- Exterior dimensions of 15" wide x 8-1/4" deep x 2-1/4" high

Product No.	List Price
HATA-CDM-BLK	\$137

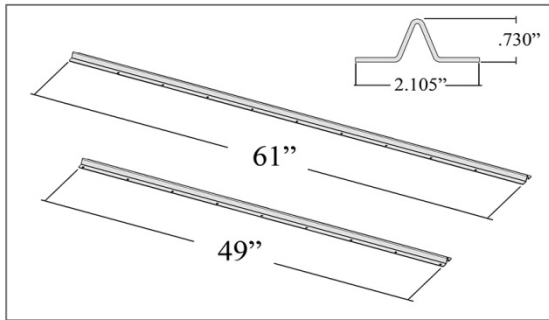


DESK ACCESSORIES

Anti-Sag Bars

Anti-sag bars provide cost-effective support for work surfaces. Anti-sag bars are painted black. Screws are not included and are the responsibility of the installer.

Product No.	Description	List Price
ANTISAG-49	Support for 60" to 71" wide surfaces	\$58
ANTISAG-61	Support for 72" to 84" wide surfaces	\$70



Hat Channel Supports

Hat channels provide support for a work surface (to prevent bowing) and a cavity for holding the controller and cords. Hat channel supports are painted black.

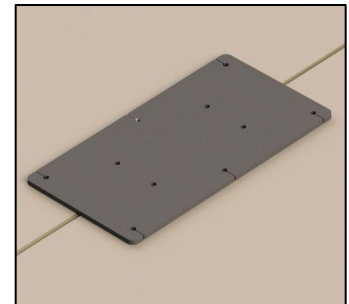
Product No.	Box Size	Pkg Wt	List Price
CLEHAT-39	41 x 7 x 3	8 lbs	\$82
CLEHAT-60	62 x 7 x 3	13 lbs	\$102



Splice Plates

Made of heavy-gauge steel, splice plates are used to join two adjacent work surfaces.

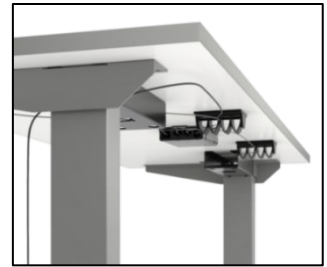
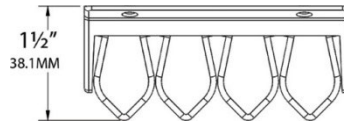
Product No.	Description	List Price
SPLICE PLATES	Kit of <u>two</u> work surface ganging plates, 5" x 9.25"	\$43



Cord Grips for Wire Management

Cord grips hold all wire sizes with ease and provide an inexpensive tool for managing the underside of a work surface. Cord grips are sold individually or in packages of 10 pieces and include attachment hardware.

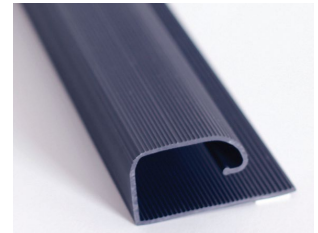
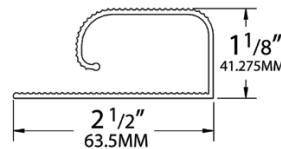
Product No.	List Price
HATA-CORDGRIP1	\$18
HATA-CORDGRIP10	\$143



J-Channel (Horizontal) Cord Minder

J-Channels provide a simple tool for hiding and managing cords.

- 48" long black plastic can be cut smaller in the field
- Secured with 2-sided tape (factory-installed)
- Sold individually or in cases of 50 pieces



Product No.	Description	List Price
HATA-J48T-1	J-Channel Cord Minder, Single	\$36
HATA-J48T-50	J-Channel Cord Minder, Case of 50	\$1,330

Vertebrae (Vertical) Cord Minder

Vertebrae cord minders provide an elegant means of managing cords from a work surface to a power outlet on the floor or a wall. Each cord minder contains 50 links that can be modified to create fused, semi-flexible, or fully flexible joints. Each cord minder includes two magnetic pockets and a screw-in top connector.

Product No.	Color	List Price
HATA-VERT-BLK	Black	\$181
HATA-VERT-SLV	Silver	\$181
HATA-VERT-WHT	White	\$181



Grommets

2-³/₈" (60mm) grommets with built-in flexible tops, black or silver.

Product No.	List Price
HATA-GROMFX-BLK	\$16
HATA-GROMFX-SLV	\$16
HATA-GROMFX-WHT	\$16



PAINT COLORS

Colors for Desk Components and Table Legs

Unless otherwise noted, the desk components and table legs shown in this catalog may be ordered in any of the standard Metal Arc paint colors shown below.

Round legs (OP-RDLEG27.75) are available in a brushed nickel finish and may not be painted.

Industry Standard Colors:

Name	Code
HM Black Umber	BU
HM Dark Tone	DT
HM Innertone	HT
HM Innertone Light	HF
HM Just Tan	JT
HM Light Gray	HL
HM Light Tone	LT
HM Medium Tone	MT
HM Metallic Champagne	CN
HM Slate Gray	GS
HM Soft White	LU

SC Arctic White Textured	AR
SC Black	BK
SC Black Textured	BX
SC Fieldstone Textured	FS
SC Gray Value 1	GV
SC Low Gloss Black	4710
SC Platinum (Metallic)	PM
SC Warm White	WW

Name	Code
HW Beige	BE
HW Charcoal	CH
HW Chalk	CK
HW Graphite	GP
HW Greystone	GT
HW Platinum	HP
HW Smoke	SM

KN Folkstone Gray	FG
KN Medium Gray	MG
KN Medium Gray Textured	MX
KN Sandstone	SS
KN Soft Gray	SG

KB Designer White	405
-------------------	-----

Metal Arc Colors:

MA Appliance White	AW
MA Cargo Red	CRED
MA Ivory	IV
MA Lakeshore Gray	LG

Don't see the color you need . . .

Metal Arc has access to many other industry favorites beyond those shown above. Many non-standard colors are available without an upcharge, although additional lead times may apply. The most recent list of non-standard colors is available at <https://metalarcinc.com/office-furniture/options/paint-colors>.

Interested in a custom color . . .

Custom color requests are handled on a case-by-case basis. Additional lead-times, surcharges and quantity minimums may apply. Email sales@metalarcinc.com for more information.

Colors for Choices and Saw-Horse Height-Adjustable Tables

Please note that not all standard Metal Arc colors are available on Choices and Saw-Horse height-adjustable tables.

Industry Standard Colors:

Name	Code
HM Black Umber	BU
HM Dark Tone	DT
HM Innertone Light	HF
HM Metallic Champagne	CN
HM Light Gray	HL
HM Light Tone	LT
HM Medium Tone	MT
HM Sandstone	WL
HM Slate Gray	GS
HM Soft White	LU

SC Arctic White Textured	AR
SC Low Gloss Black	4710
SC Low Gloss Black	4710
SC Platinum (Metallic)	PM

Name	Code
HW Beige	BE
HW Charcoal	CH
HW Chalk	CK
HW Graphite	GP
HW Greystone	GT
HW Smoke	SM

KN Folkstone Gray	FG
KN Medium Gray	MG

KB Designer White	405
-------------------	-----