

June 1, 2026



OFFICE FURNITURE



INDEX

PEDESTAL FILES.....	1
Standard 15” Wide Pedestal Files.....	2
Low-Height Freestanding Pedestal Files	5
10” Wide Mobile Pedestal Files	6
Pedestal File Options & Accessories	7
LATERAL FILES.....	10
Standard Lateral Files	11
Storage Cabinet-Lateral File Combination Cabinets (“SLFs”)	12
Bookcase-Lateral File Combination Cabinets (“BLFs”).....	13
Pedestal File-Lateral File Combination Cabinets (“Combo Centers”).....	14
2-High Bookcase-Lateral File Combination Cabinets.....	15
Lateral Files with Individual Locking Drawers (“OLFZs”).....	15
Lateral Files with 6” Drawers.....	16
Lateral File Options & Accessories	17
BOOKCASES.....	19
Standard 14” Deep Bookcases	20
Lateral-Depth Bookcases	21
Bookcase Accessories.....	22
LOW-PROFILE LATERAL FILES AND BOOKCASES.....	23
1.5-High Lateral Files and Bookcases with Leveling Glides	23
Open Plan Lateral Files and Bookcases on Legs or Casters.....	24
STORAGE CABINETS.....	28
Double-Door Storage Cabinets with Shelves	29
Double-Door Storage Cabinets with Coat Rods.....	30
Double-Door Storage Towers with Coat Rods and Shelves (“STWs”).....	30
Single-Door Storage Cabinets with Shelves.....	31
Single-Door Storage Cabinets with Coat Rod	31
VERTICAL FILES	32
TOWERS	33
Bookcase Towers.....	34
Cupboard Towers.....	34
Wardrobe-Bookcase Towers.....	35

Wardrobe-Cupboard Towers	35
Mobile Wardrobe-Cupboard Towers.....	36
Single-Door Wardrobe Towers.....	37
LOCKERS	38
OVERHEAD STORAGE CABINETS & SHELVES.....	42
CENTER DRAWERS	44
TABLE LEGS.....	45
Sitting-Height Table Legs.....	45
Standing-Height Table Legs	52
Modesty Panels for Table Legs	54
HEIGHT-ADJUSTABLE TABLES.....	57
X-BASES FOR SQUARE & ROUND SURFACES	61
DESK ACCESSORIES	62
LOCKS AND KEYS	64
PULLS	66
PAINT COLORS	67
FABRICS FOR CUSHION TOPS	68
TERMS OF SALE	69



3792 E. Ellis Rd.
Muskegon, MI 49444

PH: (231) 865-3111
FAX: (231) 865-2037

www.metalarcinc.com

PEDESTAL FILES

QUALITY STANDARD FEATURES

- Full-extension, ball-bearing drawer slides with quick disconnect and anti-rebound features
- Double-wall drawer fronts with sound-absorption material
- Drawer bodies with double-wall sides
- Pre-installed counterweights in all freestanding and mobile pedestal files
- Leveling glides with 1” adjustability in all standard work surface supporting and freestanding pedestal files
- Cabinets meet or exceed ANSI-BIFMA standards for safety and reliability

VERSATILITY

- Four standard styles: work surface supporting, freestanding, mobile, and hanging
- Various drawer configurations
- Three standard depths (18”, 22” and 28”) and several standard heights

COMPATIBILITY

- Work surface supporting pedestal files can be aligned horizontally with Metal Arc’s 2-high lateral files and storage cabinets, allowing the products to be used side-by-side under a work surface.

OPTIONAL ACCESSORIES

- Pencil trays
- Box drawer dividers
- Hanging bars for side-to-side filing in file drawers
- Additional pulls for mobile pedestal files (for easier transport)



Standard 15” Wide Pedestal Files

Work Surface Supporting Pedestal Files

- Top channels attach to underside of work surface



Box/Box/File (BBF)



File/File (FF)



4 Box Dwrs (BBBB)

Product No.	H	W	D	Pkg Wt	List Price
PWS27h18d-BBF	27-½	15	18	55 lbs	\$511
PWS27h18d-FF	27-½	15	18	50 lbs	\$474
PWS27h18d-BBBB	27-½	15	18	60 lbs	\$547
PWS27h22d-BBF	27-½	15	22	61 lbs	\$521
PWS27h22d-FF	27-½	15	22	56 lbs	\$485
PWS27h22d-BBBB	27-½	15	22	66 lbs	\$559
PWS27h28d-BBF	27-½	15	28	70 lbs	\$635
PWS27h28d-FF	27-½	15	28	64 lbs	\$594
PWS27h28d-BBBB	27-½	15	28	76 lbs	\$677

Freestanding Pedestal Files

- Solid top and counterweight included



Box/Box/File (BBF)



File/File (FF)



4 Box Dwrs (BBBB)

Product No.	H	W	D	Pkg Wt	List Price
PFS27h18d-BBF	27-½	15	18	75 lbs	\$527
PFS27h18d-FF	27-½	15	18	71 lbs	\$490
PFS27h18d-BBBB	27-½	15	18	80 lbs	\$563
PFS27h22d-BBF	27-½	15	22	83 lbs	\$543
PFS27h22d-FF	27-½	15	22	77 lbs	\$506
PFS27h22d-BBBB	27-½	15	22	89 lbs	\$581
PFS27h28d-BBF	27-½	15	28	93 lbs	\$665
PFS27h28d-FF	27-½	15	28	86 lbs	\$624
PFS27h28d-BBBB	27-½	15	28	100 lbs	\$707

Mobile Pedestal Files – 27” High

- Includes 4 black plastic casters - 2 locking, 2 non-locking (casters ship detached)
- Solid top and counterweight included
- Fits under most standard-height desks



Box/Box/File (BBF)



File/File (FF)



4 Box Dwrs (BBBB)

Product No.	H	W	D	Pkg Wt	List Price
PMB27h18d-BBF	27- ⁵ / ₁₆	15	18	77 lbs	\$548
PMB27h18d-FF	27- ⁵ / ₁₆	15	18	73 lbs	\$511
PMB27h18d-BBBB	27- ⁵ / ₁₆	15	18	80 lbs	\$584
PMB27h22d-BBF	27- ⁵ / ₁₆	15	22	84 lbs	\$565
PMB27h22d-FF	27- ⁵ / ₁₆	15	22	79 lbs	\$527
PMB27h22d-BBBB	27- ⁵ / ₁₆	15	22	89 lbs	\$603
PMB27h28d-BBF	27- ⁵ / ₁₆	15	28	95 lbs	\$688
PMB27h28d-FF	27- ⁵ / ₁₆	15	28	88 lbs	\$647
PMB27h28d-BBBB	27- ⁵ / ₁₆	15	28	100 lbs	\$730

Mobile Pedestal Files – 22” High

- Includes 4 black plastic casters - 2 locking, 2 non-locking (casters ship detached)
- Solid top and counterweight included



Box/File (BF)



Box/Box/Box (BBB)

Product No.	H	W	D	Pkg Wt	List Price
PMB22h18d-BF	22- ³ / ₈	15	18	65 lbs	\$475
PMB22h18d-BBB	22- ³ / ₈	15	18	69 lbs	\$507
PMB22h22d-BF	22- ³ / ₈	15	22	70 lbs	\$485
PMB22h22d-BBB	22- ³ / ₈	15	22	75 lbs	\$517
PMB22h28d-BF	22- ³ / ₈	15	28	78 lbs	\$582
PMB22h28d-BBB	22- ³ / ₈	15	28	84 lbs	\$624

Cushion Top Mobile Pedestal Files – 24” High

- Includes counterweight and 4 black plastic casters - 2 locking, 2 non-locking (casters ship detached)
- Cushion tops may be ordered in any standard Metal Arc fabric. These fabrics may be viewed at <http://metalarcinc.com/office-furniture/options/fabrics-for-cushion-tops>.
- See page 65 for information on customer-provided fabrics.



Box/File (BF)



Box/Box/Box (BBB)

Product No.	H	W	D	Pkg Wt	List Price
PCM24h18d-BF	24- ¹ / ₈	15	18	68 lbs	\$623
PCM24h18d-BBB	24- ¹ / ₈	15	18	72 lbs	\$656
PCM24h22d-BF	24- ¹ / ₈	15	22	73 lbs	\$635
PCM24h22d-BBB	24- ¹ / ₈	15	22	78 lbs	\$667

Hanging Pedestal Files – 25” High

- Mounting hardware included



Box/Box/File (BBF)



File/File (FF)

Product No.	H	W	D	Pkg Wt	List Price
PHG25h18d-BBF	25- ⁵ / ₈	15	18	53 lbs	\$501
PHG25h18d-FF	25- ⁵ / ₈	15	18	49 lbs	\$464
PHG25h22d-BBF	25- ⁵ / ₈	15	22	60 lbs	\$517
PHG25h22d-FF	25- ⁵ / ₈	15	22	54 lbs	\$480

Hanging Pedestal Files – 19” High

- Mounting hardware included



Box/File (BF)



Box/Box/Box (BBB)

Product No.	H	W	D	Pkg Wt	List Price
PHG19h18d-BF	19- ⁵ / ₈	15	18	41 lbs	\$396
PHG19h18d-BBB	19- ⁵ / ₈	15	18	45 lbs	\$421
PHG19h22d-BF	19- ⁵ / ₈	15	22	45 lbs	\$411
PHG19h22d-BBB	19- ⁵ / ₈	15	22	51 lbs	\$437

Hanging Pedestal Files – 13” High

- Mounting hardware included



Box/Box (BB)



File (F)

Product No.	H	W	D	Pkg Wt	List Price
PHG13h18d-BB	13- ⁵ / ₈	15	18	33 lbs	\$369
PHG13h18d-F	13- ⁵ / ₈	15	18	28 lbs	\$343
PHG13h22d-BB	13- ⁵ / ₈	15	22	36 lbs	\$385
PHG13h22d-F	13- ⁵ / ₈	15	22	31 lbs	\$360

Hanging Pedestal Files – 7” High

- Mounting hardware included



Box (B)

Product No.	H	W	D	Pkg Wt	List Price
PHG07h18d-B	7- ⁵ / ₈	15	18	22 lbs	\$247
PHG07h22d-B	7- ⁵ / ₈	15	22	24 lbs	\$264

Low-Height Freestanding Pedestal Files

Special low-height freestanding pedestal files are designed for use with lower work surfaces and adjustable-height tables. These special-height cabinets do not have a standard toe kick area. As a result, the drawers on these low-height pedestal files do not align horizontally with the drawers or doors on standard Metal Arc pedestal files, lateral files or storage cabinets.

26” High Freestanding Pedestal Files

- Solid top and counterweight included
- Includes leveling glides



Box/Box/File (BBF)



File/File (FF)

Product No.	H	W	D	Pkg Wt	List Price
PFS26h18d-BBF	26- ¹ / ₈	15	18	75 lbs	\$557
PFS26h18d-FF	26- ¹ / ₈	15	18	71 lbs	\$520
PFS26h22d-BBF	26- ¹ / ₈	15	22	82 lbs	\$574
PFS26h22d-FF	26- ¹ / ₈	15	22	77 lbs	\$536

20” High Freestanding Pedestal Files

- Solid top and counterweight included
- Includes leveling glides



Box/File (BF)



Box/Box/Box (BBB)

Product No.	H	W	D	Pkg Wt	List Price
PFS20h18d-BF	20- ¹ / ₈	15	18	63 lbs	\$484
PFS20h18d-BBB	20- ¹ / ₈	15	18	67 lbs	\$516
PFS20h22d-BF	20- ¹ / ₈	15	22	68 lbs	\$494
PFS20h22d-BBB	20- ¹ / ₈	15	22	73 lbs	\$526

10” Wide Mobile Pedestal Files

Special 10” wide mobile pedestal files provide an ideal solution for limited space workstations.

Metal Arc’s 10w mobile files come standard with side-to-side filing bars. Side-to-side filing of legal folders is possible in 22d files but is not possible in 18d files.

10w pedestal files are available with Full Pulls (Self Handled), Arc Pulls, Bar Pulls, Droop Pulls, Twist Pulls and Short Rod Pulls.

J Pulls, Aluminum Insert Pulls, Matching Pulls, and Long Rod Pulls are not available on 10w pedestal files.



10w Mobile Pedestal Files

- Includes 4 black plastic casters - 2 locking, 2 non-locking (casters ship detached)
- Solid top and counterweight included



Box/File (BF) with Full Pulls

Product No.	H	W	D	Pkg Wt	List Price
PMB10w-22h18d-BF	22- ³ / ₈	10	18	50 lbs	\$509
PMB10w-22h22d-BF	22- ³ / ₈	10	22	55 lbs	\$520

10w Cushion Top Mobile Pedestal Files

- Includes counterweight and 4 black plastic casters - 2 locking, 2 non-locking (casters ship detached)
- Cushion tops may be ordered in any standard Metal Arc fabric. These fabrics may be viewed at <http://metalarcinc.com/office-furniture/options/fabrics-for-cushion-tops>.
- See page 65 for information on customer-provided fabrics.



Box/File (BF) with Bar Pulls

Product No.	H	W	D	Pkg Wt	List Price
PCM10w-24h18d-BF	24- ¹ / ₈	10	18	54 lbs	\$639
PCM10w-24h22d-BF	24- ¹ / ₈	10	22	59 lbs	\$652

Pedestal File Options & Accessories

Pencil Trays for Standard 15w Peds



- Black plastic pencil trays feature four compartments for the storage of pencils, pens, paper clips, etc.

Factory Installed	
Product No.	List Price
add "P" and the quantity desired as suffixes to the product number (e.g., "-P1")	\$12/each
Sold Separately	
Product No.	List Price
PENTRAY	\$12/each

Pencil Trays for Special 10w Peds



- Black plastic pencil trays feature three compartments for the storage of pencils, pens, paper clips, etc.

Factory Installed	
Product No.	List Price
add "P" and the quantity desired as suffixes to the product number (e.g., "-P1")	\$12/each
Sold Separately	
Product No.	List Price
PENTRAY 10W	\$12/each

Box Drawer Dividers for Standard 15w Peds



- Black plastic dividers are used to compartmentalize pedestal box drawers.
- Available for 15w pedestal files only

Factory Installed	
Product No.	List Price
add "D" and the quantity desired as suffixes to the product number (e.g., "-D2")	\$12/each
Sold Separately	
Product No.	List Price
DIVIDER	\$12/each

Hanging File Bars (for Side-to-Side Filing) for Standard 15w Peds



- Black plastic hanging file bars allow for side-to-side filing in file drawers.
- One pair is required per file drawer. Thus, a file/file ped would require two sets (“-H2”).
- **IMPORTANT:** Side-to-side filing of legal folders is not possible in 18d pedestal files.

Factory Installed	
Product No.	List Price
add “H” and the quantity (pairs) desired as suffixes to the product number (e.g., “-H2”)	\$9/pair

Sold Separately (in pairs)	
Product No.	List Price
HANGBARS	\$9/pair

Additional Pull Mounted to Lock Cover (for Mobile Pedestal Files)

- Allows for easier moving and storage of mobile pedestal files under a work surface
- Available on any size or style of mobile pedestal file
- Choice of Arc, Bar, Droop, Short Rod, or Twist Pulls
- \$30 list price upcharge
- To order, add one of the following suffixes to the end of the product number (e.g., PMB22h22d-BF-A-BU-P0-D0-H0-L-**LCA**):



LCA (Arc Pull on Lock Cover)

- ✓ LCA (Arc Pull)
- ✓ LCB5 (Bar Pull)
- ✓ LCD (Droop Pull)
- ✓ LCO (Short Rod Pull)
- ✓ LCT (Twist Pull)



LCB5 (Bar Pull on Lock Cover)



LCD (Droop Pull on Lock Cover)



LCO (Short Rod Pull on Lock Cover)



LCT (Twist Pull on Lock Cover)

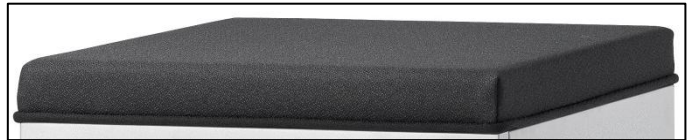
Luggage-Style Tote Pull for Mobile Pedestal Files

- Not available on 10w mobile pedestal files
- Allows for easy transport of mobile pedestal files between workstations
- Steel tube construction with foam cushion grip
- Handle stows behind the pedestal file
- \$150 list price upcharge
- To order, add the suffix “TP” (for “Tote Pull”) to the end of the product number. Put the “TP” suffix last when ordering both a lock cover pull and a luggage-style tote pull on the same pedestal file (e.g., PMB22h22d-BF-A-AW-P0-D0-H0-U-LCA-**TP**).



Cushion Tops Sold Separately

- 1.5” high cushion with welt trim
- Convert any standard Metal Arc mobile or freestanding file into a cushion top file
- Includes hook & loop fasteners for easy installation onto an existing file with a steel top
- Cushion tops may be ordered in any standard Metal Arc fabric. These fabrics may be viewed at <http://metalarcinc.com/office-furniture/options/fabrics-for-cushion-tops>.
- See page 65 for information on customer-provided fabrics.



Product No.	H	W	D	List Price
PEDCUSHION 15w18d	1-1/2	15	18	\$177
PEDCUSHION 15w22d	1-1/2	15	22	\$181
PEDCUSHION 10w18d	1-1/2	10	18	\$172
PEDCUSHION 10w22d	1-1/2	10	22	\$176

LATERAL FILES

QUALITY STANDARD FEATURES

- Full-extension, ball-bearing drawer slides
- Safety interlock system allows only one drawer to be opened at a time
- Drawer bodies with double-wall sides
- Leveling glides with 1” adjustability
- Two file bars in each drawer for side-to-side filing of letter, A4, or legal-sized file folders
- Cabinets meet or exceed ANSI-BIFMA standards for safety and reliability

COMPATIBILITY

- Horizontal alignment with Metal Arc’s storage cabinets and work surface supporting pedestal files

OPTIONAL ACCESSORIES

- Hanging file bars to accommodate front-to-back filing
- Counterweights for added stability in freestanding applications



Standard Lateral Files



OLF5hB with a Fixed Shelf



5X-OLF5hB with a Roll-Out Drawer

Product No.	H	W	D	Pkg Wt	List Price
2-High Lateral Files					
OLF02h30w	27- ¹ / ₂	30	18	96 lbs	\$833
OLF02h36w	27- ¹ / ₂	36	18	110 lbs	\$888
OLF02h42w	27- ¹ / ₂	42	18	125 lbs	\$977
3-High Lateral Files					
OLF03h30w	39- ¹ / ₂	30	18	130 lbs	\$1,127
OLF03h36w	39- ¹ / ₂	36	18	150 lbs	\$1,201
OLF03h42w	39- ¹ / ₂	42	18	175 lbs	\$1,321
4-High Lateral Files					
OLF04h30w	51- ¹ / ₂	30	18	170 lbs	\$1,388
OLF04h36w	51- ¹ / ₂	36	18	196 lbs	\$1,479
OLF04h42w	51- ¹ / ₂	42	18	225 lbs	\$1,626
5hB Lateral Files with a Fixed Shelf in the Top Position					
OLF5hB30w	67- ³ / ₈	30	18	200 lbs	\$1,737
OLF5hB36w	67- ³ / ₈	36	18	230 lbs	\$1,852
OLF5hB42w	67- ³ / ₈	42	18	260 lbs	\$2,036
5hB Lateral Files with a Roll-Out Drawer in the Top Position					
5X-OLF5hB30w	67- ³ / ₈	30	18	210 lbs	\$1,887
5X-OLF5hB36w	67- ³ / ₈	36	18	245 lbs	\$2,002
5X-OLF5hB42w	67- ³ / ₈	42	18	275 lbs	\$2,186



IMPORTANT: Unless noted otherwise, Metal Arc lateral files do not come standard with counterweights. For stability, counterweights are required for all heights and widths of lateral files unless the cabinet is to be anchored (to a wall or the floor) or ganged properly to another cabinet to prevent tipping. See page 17 for counterweight ordering information.

Storage Cabinet-Lateral File Combination Cabinets (“SLFs”)

- Note: **Counterweights** are included as standard on all SLFs since these cabinets are often used in freestanding applications.
- SLFs include two locks, keyed alike.
- J Pulls, Aluminum Insert Pulls, Matching Pulls, and Long Rod Pulls are not options for doors. When any of these pull options are chosen for the lateral drawer fronts, the cabinets will be built using Full Pulls (Self Handled) for the doors.

Product No.	H	W	D	Pkg Wt	List Price
4-High SLFs					
SLF04h30w-2F	51- ¹ / ₂	30	18	185 lbs	\$1,850
SLF04h36w-2F	51- ¹ / ₂	36	18	200 lbs	\$2,025
SLF04h42w-2F	51- ¹ / ₂	42	18	215 lbs	\$2,200
5hB SLFs					
SLF5hB30w-2F	67- ³ / ₈	30	18	200 lbs	\$2,100
SLF5hB36w-2F	67- ³ / ₈	36	18	215 lbs	\$2,275
SLF5hB42w-2F	67- ³ / ₈	42	18	240 lbs	\$2,500
SLF5hB30w-3F	67- ³ / ₈	30	18	210 lbs	\$2,177
SLF5hB36w-3F	67- ³ / ₈	36	18	230 lbs	\$2,375
SLF5hB42w-3F	67- ³ / ₈	42	18	255 lbs	\$2,600



SLF04h __w-2F (51-¹/₂" tall)
one adjustable shelf



SLF5hB __w-2F (67-³/₈" tall)
two adjustable shelves



SLF5hB __w-3F (67-³/₈" tall)
one adjustable shelf

Bookcase-Lateral File Combination Cabinets (“BLFs”)

- Note: **Counterweights** are included as standard on all BLFs since these cabinets are often used in freestanding applications.

Product No.	H	W	D	Pkg Wt	List Price
4-High BLFs					
BLF04h30w-2F	51-1/2	30	18	175 lbs	\$1,675
BLF04h36w-2F	51-1/2	36	18	190 lbs	\$1,800
BLF04h42w-2F	51-1/2	42	18	205 lbs	\$2,000
5hB BLFs					
BLF5hB30w-2F	68*	30	18	190 lbs	\$1,925
BLF5hB36w-2F	68*	36	18	205 lbs	\$2,075
BLF5hB42w-2F	68*	42	18	225 lbs	\$2,300
5hB BLFs with low-profile top					
BLF5hB30w-3F	68*	30	18	200 lbs	\$2,025
BLF5hB36w-3F	68*	36	18	220 lbs	\$2,175
BLF5hB42w-3F	68*	42	18	245 lbs	\$2,400

* Note: 5hB BLFs may be ordered with a low-profile top that changes the height to 67 3/8” – thus matching the height of Metal Arc’s 5hB lateral files and storage cabinets. Email sales@metalarcinc.com for details.



BLF04h __w-2F (51-1/2” tall)
one adjustable shelf



BLF5hB __w-2F (68” tall)
two adjustable shelves



BLF5hB __w-3F (68” tall)
one adjustable shelf

Pedestal File-Lateral File Combination Cabinets (“Combo Centers”)

- New design for 2024
- Counterweights included as standard
- Finished steel top as standard
- May be used for either work surface supporting or freestanding applications

Product No.	H	W	D	Pkg Wt	List Price
COMBO27h18d-BBF	27-1/2	30	18	125 lbs	\$1,295
COMBO27h18d-FBB	27-1/2	30	18	125 lbs	\$1,295
COMBO27h18d-FF	27-1/2	30	18	120 lbs	\$1,240
COMBO27h18d-BBBB	27-1/2	30	18	130 lbs	\$1,335

- Includes two file bars in the bottom drawer for side-to-side filing of letter, A4, or legal-sized file folders
- Optional front-to-back filing bars for the bottom (lateral file) drawer – see page 18
- Optional ped pencil trays for the 15w box drawers – see page 7 [Note: Although pencil trays for standard 15w pedestal files will fit in the box drawers of a Combo Center, ped box drawer dividers and ped hanging file bars will not work in Combo Centers.]



COMBO27h18d-BBF



COMBO27h18d-FBB



COMBO27h18d-FF



COMBO27h18d-BBBB

2-High Bookcase-Lateral File Combination Cabinets



Product No.	H	W	D	Pkg Wt	List Price
BLF02h30w	27-1/2	30	18	85 lbs	\$900
BLF02h36w	27-1/2	36	18	95 lbs	\$955
BLF02h42w	27-1/2	42	18	105 lbs	\$1,045

- Shelf with 11-7/8” opening for binder storage
- **IMPORTANT:** The bottom drawer on this cabinet does not align with standard lateral files, pedestal files, etc. It is lower relative to standard cabinets (shorter toe kick) to accommodate binder storage on the fixed shelf.
- Counterweights for 2-high lateral files must be added for freestanding applications to prevent tipping – see page 17.
- Special-order item – extended lead time

Lateral Files with Individual Locking Drawers (“OLFZs”)



OLFZ02h30w



Product No.	H	W	D	Pkg Wt	List Price
2-High Lateral Files					
OLFZ02h30w	27-1/2	30	18	99 lbs	\$993
OLFZ02h36w	27-1/2	36	18	113 lbs	\$1,048
OLFZ02h42w	27-1/2	42	18	128 lbs	\$1,137
3-High Lateral Files					
OLFZ03h30w	39-1/2	30	18	136 lbs	\$1,407
OLFZ03h36w	39-1/2	36	18	155 lbs	\$1,481
OLFZ03h42w	39-1/2	42	18	180 lbs	\$1,601
4-High Lateral Files					
OLFZ04h30w	51-1/2	30	18	190 lbs	\$1,788
OLFZ04h36w	51-1/2	36	18	210 lbs	\$1,879
OLFZ04h42w	51-1/2	42	18	250 lbs	\$2,026
5hB Lateral Files with a Fixed Shelf in the Top Position					
OLFZ5hB30w	67-3/8	30	18	220 lbs.	\$2,137
OLFZ5hB36w	67-3/8	36	18	253 lbs.	\$2,252
OLFZ5hB42w	67-3/8	42	18	284 lbs.	\$2,436
5hB Lateral Files with a Roll-Out Drawer in the Top Position					
5X-OLFZ5hB30w	67-3/8	30	18	230 lbs.	\$2,287
5X-OLFZ5hB36w	67-3/8	36	18	268 lbs.	\$2,402
5X-OLFZ5hB42w	67-3/8	42	18	299 lbs.	\$2,586

- Steel security shelf between each drawer
- Each drawer keyed differently
- Counterweights must be added for freestanding applications to prevent tipping – see page 17.
- Special-order item – extended lead time

Lateral Files with 6” Drawers



OLF03h30w-6B



OLF03h30w-2B2F

Product No.	H	W	D	Pkg Wt	List Price
2-High Lateral Files with (4) 6” Box Drawers					
OLF02h30w-4B	27- ¹ / ₂	30	18	105 lbs	\$1,183
OLF02h36w-4B	27- ¹ / ₂	36	18	118 lbs	\$1,238
OLF02h42w-4B	27- ¹ / ₂	42	18	133 lbs	\$1,327
3-High Lateral Files with (6) 6” Box Drawers					
OLF03h30w-6B	39- ¹ / ₂	30	18	145 lbs	\$1,652
OLF03h36w-6B	39- ¹ / ₂	36	18	162 lbs	\$1,726
OLF03h42w-6B	39- ¹ / ₂	42	18	188 lbs	\$1,846
4-High Lateral Files with (8) 6” Box Drawers					
OLF04h30w-8B	51- ¹ / ₂	30	18	190 lbs	\$2,088
OLF04h36w-8B	51- ¹ / ₂	36	18	211 lbs	\$2,179
OLF04h42w-8B	51- ¹ / ₂	42	18	242 lbs	\$2,326

2-High Lateral Files with (2) 6” Box Drawers and (1) Standard 12” Drawer					
OLF02h30w-2B1F	27- ¹ / ₂	30	18	99 lbs	\$1,008
OLF02h36w-2B1F	27- ¹ / ₂	36	18	113 lbs	\$1,063
OLF02h42w-2B1F	27- ¹ / ₂	42	18	128 lbs	\$1,152
3-High Lateral Files with (2) 6” Box Drawers and (2) Standard 12” Drawers					
OLF03h30w-2B2F	39- ¹ / ₂	30	18	134 lbs	\$1,302
OLF03h36w-2B2F	39- ¹ / ₂	36	18	153 lbs	\$1,376
OLF03h42w-2B2F	39- ¹ / ₂	42	18	178 lbs	\$1,496
4-High Lateral Files with (2) 6” Box Drawers and (3) Standard 12” Drawers					
OLF04h30w-2B3F	51- ¹ / ₂	30	18	174 lbs	\$1,563
OLF04h36w-2B3F	51- ¹ / ₂	36	18	199 lbs	\$1,654
OLF04h42w-2B3F	51- ¹ / ₂	42	18	228 lbs	\$1,801

- Special-order item – extended lead time

* **Counterweights:** Lateral files with only 6” drawers do not require counterweights. Lateral files with a combination of 6” and standard 12” drawers do require counterweights if they will be used in a freestanding application (*i.e.*, not anchored to a wall or ganged properly to another cabinet to prevent tipping).

Lateral File Options & Accessories

Counterweights

- Unless a lateral file is to be anchored to a wall or the ground, or anchored properly to another cabinet, a counterweight must be installed to ensure the unit’s stability in accordance with ANSI-BIFMA standards.

Factory Installed		
Product No.	List Price	Weight
add “C” as a suffix to the product number	\$165 (2-high lateral file)	50 lbs
	\$165 (3-high lateral file)	50 lbs
	\$125 (4-high lateral file)	35 lbs
	\$125 (5-high lateral file)	35 lbs

Cushion Tops for Lateral Files

- 1.5” high cushion with welt trim
- Hook & loop fasteners for easy installation
- Cushion tops may be ordered in any standard Metal Arc fabric. These fabrics may be viewed at <http://metalarcinc.com/office-furniture/options/fabrics-for-cushion-tops>.
- See page 65 for information on customer-provided fabrics.

Product No.	H	W	D	List Price
LATCUSHION 30w18d	1-1/2	30	18	\$275
LATCUSHION 36w18d	1-1/2	36	18	\$308
LATCUSHION 42w18d	1-1/2	42	18	\$345



1.5-High, 2-High, and 3-High L-Fillers

- L-fillers are used to close the gap behind an 18” deep cabinet that has a 24” deep work surface on top.
- L-fillers are adjustable up to 1/2” in depth and come standard with attachment hardware.

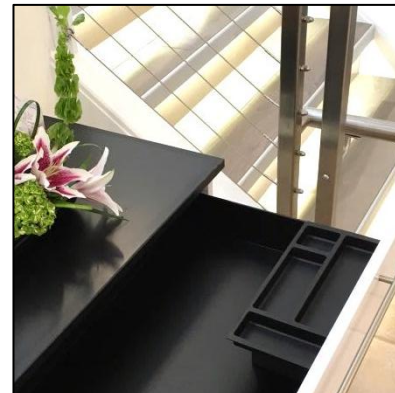
Product No.	List Price
LF21.125-5.75	\$164
LF27.125-5.75	\$174
LF39.125-5.75	\$224



Pencil Trays for Lateral File Box Drawer

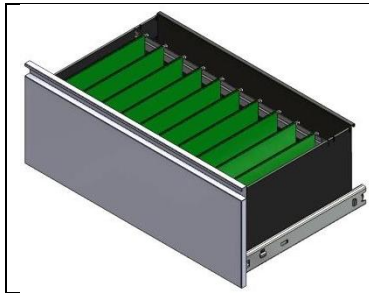
- Magnet on bottom of base keeps pencil tray firmly in place

Product No.	List Price
OP-PENTRAY	\$35

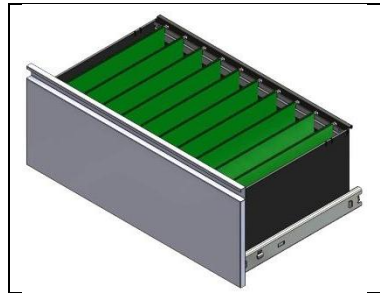


Hanging File Bars

Standard Side-to-Side Filing with Included Side-to-Side File Bars (all widths):



Side-to-Side Filing – Letter
30w = 26-7/16" of filing
36w = 32-7/16" of filing
42w = 38-7/16" of filing



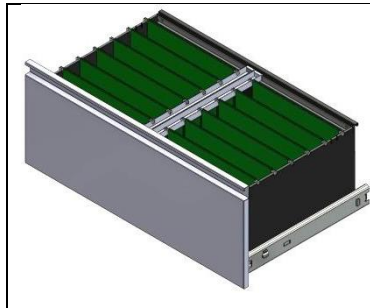
Side-to-Side Filing – Legal
30w = 26-7/16" of filing
36w = 32-7/16" of filing
42w = 38-7/16" of filing

Optional Front-to-Back Filing with Front-to-Back Hanging File Bars:

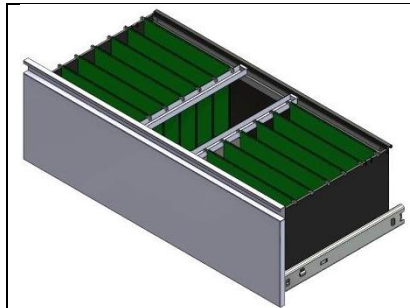
One set of front-to-back file bars is needed for each lateral file drawer, regardless of width.

Factory Installed	
Product No.	List Price
add "H" and the quantity desired (one set per drawer) as suffixes to the product number	\$27/set

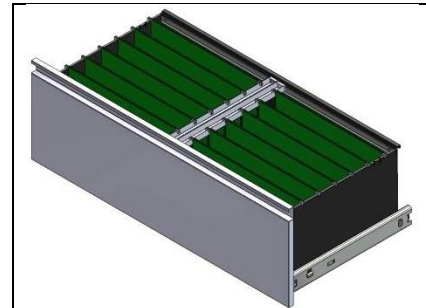
Packaged and Sold Separately	
Product No.	List Price
LATHGBARS	\$27/set



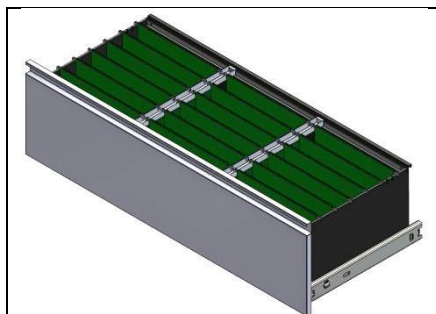
30" Wide – Letter
30" of filing



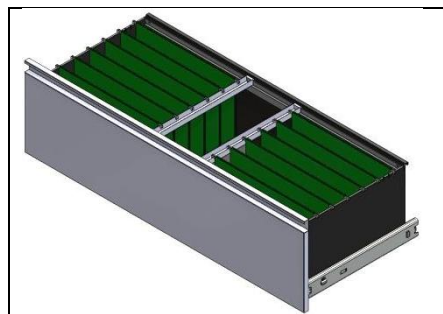
36" Wide – Letter
30" of filing



36" Wide – Legal
30" of filing



42" Wide – Letter
45" of filing



42" Wide – Legal
30" of filing

BOOKCASES

QUALITY STANDARD FEATURES

- Side panels with double-wall construction
- Heavy-duty shelves adjustable in ½” increments
- Leveling glides with ¾” adjustability
- Cabinets meet or exceed ANSI-BIFMA standards for safety and reliability*

VERSATILITY

- Three standard widths and four standard heights
- Two standard depths: 14” and 17-1/8”

OPTIONAL ACCESSORY

- Magnetic shelf dividers (shown in photo below)

* **IMPORTANT:** To ensure back-to-front stability in accordance with ANSI-BIFMA standards, 14” deep bookcases must be placed against a wall or secured to prevent tipping.



Standard 14” Deep Bookcases



Product No.	H	W	D	Pkg Wt	List Price
2-High Bookcases (one adjustable shelf)					
BKC02h30w	27- ¹ / ₂	30	14	50 lbs	\$617
BKC02h36w	27- ¹ / ₂	36	14	56 lbs	\$648
BKC02h42w	27- ¹ / ₂	42	14	62 lbs	\$679
3-High Bookcases (two adjustable shelves)					
BKC03h30w	39- ¹ / ₂	30	14	65 lbs	\$689
BKC03h36w	39- ¹ / ₂	36	14	73 lbs	\$720
BKC03h42w	39- ¹ / ₂	42	14	81 lbs	\$751
4-High Bookcases (three adjustable shelves)					
BKC04h30w	51- ¹ / ₂	30	14	85 lbs	\$766
BKC04h36w	51- ¹ / ₂	36	14	95 lbs	\$797
BKC04h42w	51- ¹ / ₂	42	14	105 lbs	\$828
5hB Bookcases (four adjustable shelves)					
BKC5hB30w	68*	30	14	105 lbs	\$848
BKC5hB36w	68*	36	14	115 lbs	\$879
BKC5hB42w	68*	42	14	125 lbs	\$910



2-High (27-¹/₂" tall)
one adjustable shelf



3-High (39-¹/₂" tall)
two adjustable shelves



4-High (51-¹/₂" tall)
three adjustable shelves



5hB (68" tall*)
four adjustable shelves

* Note: 5hB bookcases may be ordered with a low-profile top that changes the unit's overall height to 67 3/8" – thus matching the height of Metal Arc's 5hB lateral files and storage cabinets.

To substitute for a low-profile top (no additional charge), add the suffix "-LP" at the end of the product number, before the color code – for example, BKC5hB30w-LP-BU

Lateral-Depth Bookcases

- Special lateral-depth bookcases (“BKLDs”) are designed for use next to adjacent lateral files, 18” deep storage cabinets, and (when used under a work surface) work surface supporting pedestal files.
- The main body of a BKLD is 17-¹/₈” deep, the same as the body on a lateral file or 18” deep storage cabinet.
- BKLDs have special 18” deep tops that overhang the main body of the bookcase. These 18” deep tops allow BKLDs to align with adjacent lateral files, storage cabinets or pedestal files – see photo below.
- For use on a stand-alone basis, BKLDs may be ordered with a 17-¹/₈” deep top that does not overhang the front of the bookcase. Please email sales@metalarcinc.com for more information and ordering instructions.
- See page 23 for information on 1.5-high lateral-depth bookcases.
- Special-order item – extended lead time

Product No.	H	W	D	Pkg Wt	List Price
2-High Lateral-Depth Bookcases (one adjustable shelf)					
BKLD02h30w	27- ¹ / ₂	30	18	60 lbs	\$770
BKLD02h36w	27- ¹ / ₂	36	18	69 lbs	\$800
BKLD02h42w	27- ¹ / ₂	42	18	78 lbs	\$830
3-High Lateral-Depth Bookcases (two adjustable shelves)					
BKLD03h30w	39- ¹ / ₂	30	18	75 lbs	\$860
BKLD03h36w	39- ¹ / ₂	36	18	86 lbs	\$890
BKLD03h42w	39- ¹ / ₂	42	18	97 lbs	\$920



BKLD02h36w shown next to a 2-high lateral file

Bookcase Accessories

Shelf Divider



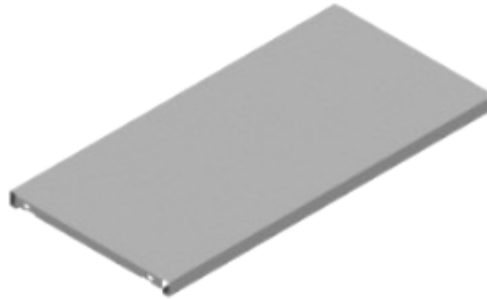
Product No.	Pkg Wt	List Price
SDIVIDER	5 lbs.	\$80 (pkg of 2)

- Black powder coat finish
- Magnet keeps divider in place



Additional Bookcase Shelves

Product No.	Pkg Wt	List Price
BKCSHF 30w	7 lbs.	\$80
BKCSHF 36w	8 lbs.	\$80
BKCSHF 42w	9 lbs.	\$80



Note: The same shelves are used for both standard 14d bookcases and special lateral-depth bookcases.

LOW-PROFILE LATERAL FILES AND BOOKCASES

1.5-High Lateral Files and Bookcases with Leveling Glides

1.5-High Box/File Lateral Files



Product No.	H	W	D	Pkg Wt	List Price
OLF1.5h30w	21-1/2	30	18	144 lbs	\$880
OLF1.5h36w	21-1/2	36	18	158 lbs	\$920
OLF1.5h42w	21-1/2	42	18	172 lbs	\$980

- Counterweights included as standard for added stability
- Leveling glides with 1” adjustability
- Horizontal alignment with 1.5h bookcases
- Finished steel top
- Includes two file bars in the bottom drawer for side-to-side filing of letter, A4 or legal-sized file folders

1.5-High Bookcases



Product No.	H	W	D	Pkg Wt	List Price
BKLD1.5h18w	21-1/2	18	18	45 lbs	\$560
BKLD1.5h24w	21-1/2	24	18	50 lbs	\$600
BKLD1.5h30w	21-1/2	30	18	55 lbs	\$620
BKLD1.5h36w	21-1/2	36	18	63 lbs	\$660
BKLD1.5h42w	21-1/2	42	18	71 lbs	\$710

- One adjustable shelf (adjustable in 1/2” increments)
- Leveling glides with 1” adjustability
- Horizontal alignment with 1.5h lateral files
- Finished steel top
- Optional 17-1/8” deep top for stand-alone applications



Open Plan Lateral Files and Bookcases on Legs or Casters

Metal Arc’s Open Plan cabinets provide a contemporary alternative to standard 1.5h lateral files and bookcases.

Open Plan cabinets do not include a finished steel top. Rather, these cabinets are designed to be ganged together under a common top. Steel tops are available – see page 27 for details. Email sales@metalarcinc.com for laminate top options.

For ease of installation, all Open Plan cabinets come standard with re-closable fasteners on the top, thus eliminating the need for pre-drilled work surfaces.



Open Plan cabinets are available with two different leg styles: Square and Round.

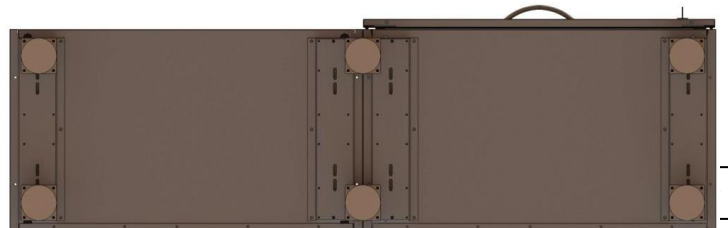


Square Leg
textured silver finish



Round Leg
brushed stainless steel finish

To facilitate design flexibility, Open Plan cabinets and legs are ordered separately. For a stand-alone Open Plan cabinet, four legs are required. Where two Open Plan cabinets are placed side-by-side to make a credenza, however, only six legs are needed. The middle two legs can be used to gang the cabinets together as illustrated below. This provides a significant cost savings compared to using eight legs to make a credenza.



IMPORTANT: Open Plan cabinets are designed to be used with legs or casters. Open Plan cabinets will not function properly if placed directly onto a floor without any supporting legs or casters.

Open Plan Box-File Lateral Files – NO Finished Top



Product No.	H*	W	D	Pkg Wt	List Price
OP-LAT30w	20	30	18	145 lbs	\$880
OP-LAT36w	20	36	18	158 lbs	\$920
OP-LAT42w	20	42	18	172 lbs	\$980

* Height is for the cabinet only and does not include legs or a work surface.

- Counterweights included as standard for added stability
- Attaches to underside of work surface – finished top is not included
- Single lock secures both drawers
- Includes two file bars in the bottom drawer for side-to-side filing of letter, A4 or legal-sized file folders

Open Plan Bookcases – NO Finished Top



Product No.	H*	W	D	Pkg Wt	List Price
OP-BK18w	20	18	17- $\frac{1}{8}$	45 lbs	\$560
OP-BK24w	20	24	17- $\frac{1}{8}$	50 lbs	\$600
OP-BK30w	20	30	17- $\frac{1}{8}$	55 lbs	\$620
OP-BK36w	20	36	17- $\frac{1}{8}$	60 lbs	\$660
OP-BK42w	20	42	17- $\frac{1}{8}$	65 lbs	\$710

* Height is for the cabinet only and does not include legs or a work surface.

- One height-adjustable shelf
- Includes cutouts for easy ganging to adjacent cabinets
- Attaches to underside of work surface – finished top is not included

Open Plan Bookcase-Lateral (“BLF”) Combo Cabinets – NO Finished Top



Product No.	H*	W	D	Pkg Wt	List Price
OP-BLF30w	20	30	18	142 lbs	\$880
OP-BLF36w	20	36	18	155 lbs	\$920
OP-BLF42w	20	42	18	169 lbs	\$980

* Height is for the cabinet only and does not include legs or a work surface.

- Counterweights included as standard for added stability
- Attaches to underside of work surface – finished top is not included
- Includes two file bars in the bottom drawer for side-to-side filing of letter, A4 or legal-sized file folders

Open Plan Legs, Casters, and Accessories

Square Legs Sold Separately



Product No.	List Price
OP-SQLEG3.0	\$30

- Legs are priced and sold individually
- Six legs are needed for two adjacent cabinets – four legs for the outside corners, and another two legs to gang the cabinets together
- Legs are made of 2” square tube and stand 3” tall with leveling glides fully recessed
- Leveling glides provide 1” of adjustability
- Standard finish is Textured Silver. Call or email for other color options



Round Legs Sold Separately



Product No.	List Price
OP-RDLEG2.5	\$30

- Legs are priced and sold individually
- Six legs are needed for two adjacent cabinets – four legs for the outside corners, and another two legs to gang the cabinets together
- Legs are made of stainless steel with a brushed finish
- Legs are adjustable between 2.5” and 3.5” in height



Casters



Product No.	List Price
60 MM CASTERS – PKG OF 4	\$100

- Any Open Plan cabinet can be made into a mobile cabinet by adding a set of four 60 mm black casters
- Casters ship separately for field installation
- Each package contains two locking and two non-locking casters
- Casters are not available for 1.5h lateral files and bookcases

Steel Tops



Product No.	Pkg Wt	List Price
Optional Steel Tops for Open Plan Cabinets		
OP-TOP 18w18d	6 lbs	\$75
OP-TOP 24w18d	8 lbs	\$75
OP-TOP 30w18d	9 lbs	\$75
OP-TOP 36w18d	11 lbs	\$90
OP-TOP 42w18d	12 lbs	\$105
OP-TOP 48w18d	14 lbs	\$125
OP-TOP 54w18d	16 lbs	\$150
OP-TOP 60w18d	17 lbs	\$175

- Steel tops are ¾” tall and are made of 18-gauge steel.
- Steel tops may be ordered in a contrasting paint color

Cushion Tops (Slim)



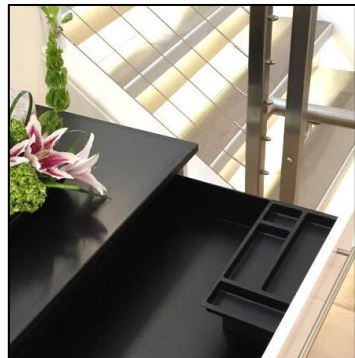
Product No.	List Price
OP-Cush 24w18d	\$241
OP-Cush 30w18d	\$258
OP-Cush 36w18d	\$295
OP-Cush 42w18d	\$324
OP-Cush 48w18d	\$355

- Tops are 1” tall and do not have a welt trim.
- For easy attachment, cushion tops come standard with re-closable fasteners.

Pencil Trays for Lateral File Box Drawer

- Magnet on base keeps pencil tray firmly in place

Product No.	List Price
OP-PENTRAY	\$35



STORAGE CABINETS

QUALITY STANDARD FEATURES

- Shelves adjustable in ½” increments
- Leveling glides with 1” adjustability
- Concealed hinges with easy-adjustment capability
- Cabinets meet or exceed ANSI-BIFMA standards for safety and reliability

VERSATILITY

- Four standard heights and five standard widths
- Two standard depths: 18” and 24”
- Choice of Full Pulls (Self Handled), Arc Pulls, Bar Pulls, Droop Pulls, Short Rod Pulls or Twist Pulls only*

COMPATIBILITY

- Horizontal alignment with Metal Arc’s standard lateral files and work surface supporting pedestal files



* Note: J Pulls, Aluminum Insert Pulls, Matching Pulls, and Long Rod Pulls are not available on storage cabinets.

Double-Door Storage Cabinets with Shelves



Product No.	H	W	D	Pkg Wt	List Price
2-High Storage Cabinets (one adjustable shelf)					
STC02h30w	27- ¹ / ₂	30	18	78 lbs	\$925
STC02h36w	27- ¹ / ₂	36	18	88 lbs	\$943
STC02h42w	27- ¹ / ₂	42	18	99 lbs	\$1,034
2-High Storage Cabinets (one adjustable shelf)					
S2402h30w	27- ¹ / ₂	30	24	84 lbs	\$1,200
S2402h36w	27- ¹ / ₂	36	24	94 lbs	\$1,225
S2402h42w	27- ¹ / ₂	42	24	105 lbs	\$1,345
3-High Storage Cabinets (two adjustable shelves)					
STC03h30w	39- ¹ / ₂	30	18	104 lbs	\$1,075
STC03h36w	39- ¹ / ₂	36	18	117 lbs	\$1,113
STC03h42w	39- ¹ / ₂	42	18	131 lbs	\$1,193
3-High Storage Cabinets (two adjustable shelves)					
S2403h30w	39- ¹ / ₂	30	24	111 lbs	\$1,400
S2403h36w	39- ¹ / ₂	36	24	124 lbs	\$1,450
S2403h42w	39- ¹ / ₂	42	24	138 lbs	\$1,550
4-High Storage Cabinets (three adjustable shelves)					
STC04h30w	51- ¹ / ₂	30	18	131 lbs	\$1,300
STC04h36w	51- ¹ / ₂	36	18	147 lbs	\$1,341
STC04h42w	51- ¹ / ₂	42	18	164 lbs	\$1,442
4-High Storage Cabinets (three adjustable shelves)					
S2404h30w	51- ¹ / ₂	30	24	140 lbs	\$1,690
S2404h36w	51- ¹ / ₂	36	24	156 lbs	\$1,750
S2404h42w	51- ¹ / ₂	42	24	173 lbs	\$1,880
5hB Storage Cabinets (four adjustable shelves)					
STC5hB30w	67- ³ / ₈	30	18	164 lbs	\$1,520
STC5hB36w	67- ³ / ₈	36	18	184 lbs	\$1,565
STC5hB42w	67- ³ / ₈	42	18	203 lbs	\$1,691
5hB Storage Cabinets (four adjustable shelves)					
S245hB30w	67- ³ / ₈	30	24	175 lbs	\$1,850
S245hB36w	67- ³ / ₈	36	24	195 lbs	\$1,878
S245hB42w	67- ³ / ₈	42	24	214 lbs	\$2,020



2-High (27-¹/₂" tall)
one adjustable shelf



3-High (39-¹/₂" tall)
two adjustable shelves



4-High (51-¹/₂" tall)
three adjustable shelves



5hB (67-³/₈" tall)
four adjustable shelves

Double-Door Storage Cabinets with Coat Rods

- Includes one adjustable shelf with an attached coat rod



XSTC5hB36w

Product No.	H	W	D	Pkg Wt	List Price
4-High Storage Cabinets with (1) Adjustable Shelf and Coat Rod					
XSTC04h30w	51- ¹ / ₂	30	18	116 lbs	\$1,250
XSTC04h36w	51- ¹ / ₂	36	18	130 lbs	\$1,300
XSTC04h42w	51- ¹ / ₂	42	18	145 lbs	\$1,395
5hB Storage Cabinets with (1) Adjustable Shelf and Coat Rod					
XS2404h30w	51- ¹ / ₂	30	24	126 lbs	\$1,640
XS2404h36w	51- ¹ / ₂	36	24	140 lbs	\$1,700
XS2404h42w	51- ¹ / ₂	42	24	155 lbs	\$1,830
5hB Storage Cabinets with (1) Adjustable Shelf and Coat Rod					
XSTC5hB30w	67- ³ / ₈	30	18	145 lbs	\$1,470
XSTC5hB36w	67- ³ / ₈	36	18	160 lbs	\$1,515
XSTC5hB42w	67- ³ / ₈	42	18	175 lbs	\$1,640
5hB Storage Cabinets with (1) Adjustable Shelf and Coat Rod					
XS245hB30w	67- ³ / ₈	30	24	155 lbs	\$1,800
XS245hB36w	67- ³ / ₈	36	24	175 lbs	\$1,825
XS245hB42w	67- ³ / ₈	42	24	195 lbs	\$1,970

Double-Door Storage Towers with Coat Rods and Shelves (“STWs”)

- Includes 9” wide wardrobe compartment with a coat rod
- RGT and LFT designate the side with the wardrobe
- Includes 4 adjustable-height shelves in the larger compartment
- Special-order item – extended lead time



STW5hB36w-18d-RGT

Product No.	H	W	D	Pkg Wt	List Price
STW5hB36w-18d-LFT	67- ³ / ₈	36	18	193 lbs	\$2,125
STW5hB36w-18d-RGT	67- ³ / ₈	36	18	193 lbs	\$2,125

Single-Door Storage Cabinets with Shelves

- RGT and LFT designate the hinge side.



STC04h15w-LFT

Product No.	H	W	D	Pkg Wt	List Price
4-High Storage Cabinets with 3 Adjustable Shelves					
STC04h15w-LFT	51-1/2	15	18	83 lbs	\$1,100
STC04h15w-RGT	51-1/2	15	18	83 lbs	\$1,100
STC04h18w-LFT	51-1/2	18	18	90 lbs	\$1,150
STC04h18w-RGT	51-1/2	18	18	90 lbs	\$1,150
5hB Storage Cabinets with 4 Adjustable Shelves					
S2404h15w-LFT	51-1/2	15	24	92 lbs	\$1,400
S2404h15w-RGT	51-1/2	15	24	92 lbs	\$1,400
S2404h18w-LFT	51-1/2	18	24	99 lbs	\$1,450
S2404h18w-RGT	51-1/2	18	24	99 lbs	\$1,450
5hB Storage Cabinets with 4 Adjustable Shelves					
STC5hB15w-LFT	67-3/8	15	18	93 lbs	\$1,250
STC5hB15w-RGT	67-3/8	15	18	93 lbs	\$1,250
STC5hB18w-LFT	67-3/8	18	18	100 lbs	\$1,300
STC5hB18w-RGT	67-3/8	18	18	100 lbs	\$1,300
5hB Storage Cabinets with 4 Adjustable Shelves					
S245hB15w-LFT	67-3/8	15	24	102 lbs	\$1,550
S245hB15w-RGT	67-3/8	15	24	102 lbs	\$1,550
S245hB18w-LFT	67-3/8	18	24	109 lbs	\$1,600
S245hB18w-RGT	67-3/8	18	24	109 lbs	\$1,600

Single-Door Storage Cabinets with Coat Rod

- Includes one adjustable shelf with an attached coat rod
- RGT and LFT designate the hinge side.



XSTC04h18w-RGT

Product No.	H	W	D	Pkg Wt	List Price
4-High Storage Cabinets with (1) Adjustable Shelf and Coat Rod					
XSTC04h15w-LFT	51-1/2	15	18	77 lbs	\$1,050
XSTC04h15w-RGT	51-1/2	15	18	77 lbs	\$1,050
XSTC04h18w-LFT	51-1/2	18	18	84 lbs	\$1,100
XSTC04h18w-RGT	51-1/2	18	18	84 lbs	\$1,100
4-High Storage Cabinets with (1) Adjustable Shelf and Coat Rod					
XS2404h15w-LFT	51-1/2	15	24	86 lbs	\$1,350
XS2404h15w-RGT	51-1/2	15	24	86 lbs	\$1,350
XS2404h18w-LFT	51-1/2	18	24	93 lbs	\$1,400
XS2404h18w-RGT	51-1/2	18	24	93 lbs	\$1,400
5hB Storage Cabinets with (1) Adjustable Shelf and Coat Rod					
XSTC5hB15w-LFT	67-3/8	15	18	86 lbs	\$1,200
XSTC5hB15w-RGT	67-3/8	15	18	86 lbs	\$1,200
XSTC5hB18w-LFT	67-3/8	18	18	93 lbs	\$1,250
XSTC5hB18w-RGT	67-3/8	18	18	93 lbs	\$1,250
5hB Storage Cabinets with (1) Adjustable Shelf and Coat Rod					
XS245hB15w-LFT	67-3/8	15	24	95 lbs	\$1,500
XS245hB15w-RGT	67-3/8	15	24	95 lbs	\$1,500
XS245hB18w-LFT	67-3/8	18	24	102 lbs	\$1,550
XS245hB18w-RGT	67-3/8	18	24	102 lbs	\$1,550

VERTICAL FILES



Product No.	No. of Drawers	H	W	D	Pkg Wt	List Price
15w Vertical Files for Letter-Width Hanging Files						
VFL02h15w-2F	2	27- ¹ / ₂	15	28	89 lbs	\$795
VFL03h15w-3F	3	39- ¹ / ₂	15	28	111 lbs	\$940
VFL04h15w-4F	4	51- ¹ / ₂	15	28	142 lbs	\$1,120
VFL05h15w-5F	5	63- ¹ / ₂	15	28	173 lbs	\$1,325
18w Vertical Files for Legal-Width Hanging Files						
VFL02h18w-2F	2	27- ¹ / ₂	18	28	95 lbs	\$900
VFL03h18w-3F	3	39- ¹ / ₂	18	28	120 lbs	\$1,010
VFL04h18w-4F	4	51- ¹ / ₂	18	28	150 lbs	\$1,288
VFL05h18w-5F	5	63- ¹ / ₂	18	28	185 lbs	\$1,524

- Ball-bearing drawer slides with quick disconnect and anti-rebound features
- Safety interlock system allows only one drawer to be opened at a time
- Counterweight for added stability (included as standard)
- Leveling glides with 1” adjustability
- Cabinets meet or exceed ANSI-BIFMA standards for safety and reliability
- Note: Metal Arc’s 3h, 4h and 5h vertical files are constructed like tall pedestal files. Unlike some traditional vertical files, they do not include thumb latches or file compressors.



5-High 15w
(63-¹/₂” tall)

4-High 15w
(51-¹/₂” tall)

3-High 15w
(39-¹/₂” tall)

2-High 15w
(27-¹/₂” tall)

TOWERS

QUALITY STANDARD FEATURES

- Shelves adjustable in ½” increments
- Leveling glides with 1” adjustability
- Concealed hinges with easy-adjustment capability
- Cabinets meet or exceed ANSI-BIFMA standards for safety and reliability

VERSATILITY

- Several standard heights and widths
- Freestanding and mobile versions

OPTIONAL ACCESSORIES

- All standard pedestal file accessories
- Magnetic shelf dividers (see bookcase accessories)
- Work surface support bracket



WBT04h-RGT-FF

Bookcase Towers

- RGT and LFT designate the bookcase facing direction



BTW04h15w-RGT-BBF

Product No.	H	W	D	Pkg Wt	List Price
49.5" High Bookcase Towers (one adjustable shelf)					
BTW49.5h15w-LFT-BBF	49-1/2	15	24	100 lbs	\$1,209
BTW49.5h15w-LFT-FF	49-1/2	15	24	95 lbs	\$1,169
BTW49.5h15w-RGT-BBF	49-1/2	15	24	100 lbs	\$1,209
BTW49.5h15w-RGT-FF	49-1/2	15	24	95 lbs	\$1,169
4-High Bookcase Towers (one adjustable shelf)					
BTW04h15w-LFT-BBF	51-1/2	15	24	100 lbs	\$1,210
BTW04h15w-LFT-FF	51-1/2	15	24	95 lbs	\$1,170
BTW04h15w-RGT-BBF	51-1/2	15	24	100 lbs	\$1,210
BTW04h15w-RGT-FF	51-1/2	15	24	95 lbs	\$1,170
5-High Bookcase Towers (two adjustable shelves)					
BTW05h15w-LFT-BBF	63-1/2	15	24	105 lbs	\$1,320
BTW05h15w-LFT-FF	63-1/2	15	24	100 lbs	\$1,280
BTW05h15w-RGT-BBF	63-1/2	15	24	105 lbs	\$1,320
BTW05h15w-RGT-FF	63-1/2	15	24	100 lbs	\$1,280

Cupboard Towers

- RGT and LFT designate the hinge location for the cupboard door
- Cabinet includes two locks, keyed alike



CTW04h15w-RGT-BBF

Product No.	H	W	D	Pkg Wt	List Price
3-High Cupboard Towers (no adjustable shelves)					
CTW03h15w-LFT-BBF	39-1/2	15	24	100 lbs	\$1,200
CTW03h15w-LFT-FF	39-1/2	15	24	95 lbs	\$1,160
CTW03h15w-RGT-BBF	39-1/2	15	24	100 lbs	\$1,200
CTW03h15w-RGT-FF	39-1/2	15	24	95 lbs	\$1,160
49.5" High Cupboard Towers (one adjustable shelf)					
CTW49.5h15w-LFT-BBF	49-1/2	15	24	110 lbs	\$1,309
CTW49.5h15w-LFT-FF	49-1/2	15	24	105 lbs	\$1,269
CTW49.5h15w-RGT-BBF	49-1/2	15	24	110 lbs	\$1,309
CTW49.5h15w-RGT-FF	49-1/2	15	24	105 lbs	\$1,269
4-High Cupboard Towers (one adjustable shelf)					
CTW04h15w-LFT-BBF	51-1/2	15	24	110 lbs	\$1,310
CTW04h15w-LFT-FF	51-1/2	15	24	105 lbs	\$1,270
CTW04h15w-RGT-BBF	51-1/2	15	24	110 lbs	\$1,310
CTW04h15w-RGT-FF	51-1/2	15	24	105 lbs	\$1,270
5-High Cupboard Towers (two adjustable shelves)					
CTW05h15w-LFT-BBF	63-1/2	15	24	115 lbs	\$1,420
CTW05h15w-LFT-FF	63-1/2	15	24	110 lbs	\$1,380
CTW05h15w-RGT-BBF	63-1/2	15	24	115 lbs	\$1,420
CTW05h15w-RGT-FF	63-1/2	15	24	110 lbs	\$1,380

Wardrobe-Bookcase Towers

- RGT and LFT designate the side of the cabinet with the coat closet (wardrobe)
- Cabinet includes two locks, keyed alike



WBT05h-LFT-BBF

Product No.	H	W	D	Pkg Wt	List Price
49.5" High Wardrobe-Bookcase Towers (one adjustable shelf)					
WBT49.5h-LFT-BBF	49-1/2	24	24	160 lbs	\$1,899
WBT49.5h-LFT-FF	49-1/2	24	24	155 lbs	\$1,859
WBT49.5h-RGT-BBF	49-1/2	24	24	160 lbs	\$1,899
WBT49.5h-RGT-FF	49-1/2	24	24	155 lbs	\$1,859
4-High Wardrobe-Bookcase Towers (one adjustable shelf)					
WBT04h-LFT-BBF	51-1/2	24	24	160 lbs	\$1,900
WBT04h-LFT-FF	51-1/2	24	24	155 lbs	\$1,860
WBT04h-RGT-BBF	51-1/2	24	24	160 lbs	\$1,900
WBT04h-RGT-FF	51-1/2	24	24	155 lbs	\$1,860
5-High Wardrobe-Bookcase Towers (two adjustable shelves)					
WBT05h-LFT-BBF	63-1/2	24	24	175 lbs	\$2,150
WBT05h-LFT-FF	63-1/2	24	24	170 lbs	\$2,110
WBT05h-RGT-BBF	63-1/2	24	24	175 lbs	\$2,150
WBT05h-RGT-FF	63-1/2	24	24	170 lbs	\$2,110

Wardrobe-Cupboard Towers

- RGT and LFT designate the side of the cabinet with the coat closet (wardrobe)
- Cabinet includes three locks, keyed alike



WCT05h-RGT-FF

Product No.	H	W	D	Pkg Wt	List Price
3-High Wardrobe-Cupboard Towers (no adjustable shelves)					
WCT03h-LFT-BBF	39-1/2	24	24	155 lbs	\$1,800
WCT03h-LFT-FF	39-1/2	24	24	150 lbs	\$1,760
WCT03h-RGT-BBF	39-1/2	24	24	155 lbs	\$1,800
WCT03h-RGT-FF	39-1/2	24	24	150 lbs	\$1,760
49.5" High Wardrobe-Cupboard Towers (one adjustable cupboard shelf)					
WCT49.5h-LFT-BBF	49-1/2	24	24	170 lbs	\$1,999
WCT49.5h-LFT-FF	49-1/2	24	24	165 lbs	\$1,959
WCT49.5h-RGT-BBF	49-1/2	24	24	170 lbs	\$1,999
WCT49.5h-RGT-FF	49-1/2	24	24	165 lbs	\$1,959
4-High Wardrobe-Cupboard Towers (one adjustable cupboard shelf)					
WCT04h-LFT-BBF	51-1/2	24	24	170 lbs	\$2,000
WCT04h-LFT-FF	51-1/2	24	24	165 lbs	\$1,960
WCT04h-RGT-BBF	51-1/2	24	24	170 lbs	\$2,000
WCT04h-RGT-FF	51-1/2	24	24	165 lbs	\$1,960
5-High Wardrobe-Cupboard Towers (two adjustable cupboard shelves)					
WCT05h-LFT-BBF	63-1/2	24	24	185 lbs	\$2,200
WCT05h-LFT-FF	63-1/2	24	24	180 lbs	\$2,160
WCT05h-RGT-BBF	63-1/2	24	24	185 lbs	\$2,200
WCT05h-RGT-FF	63-1/2	24	24	180 lbs	\$2,160

Mobile Wardrobe-Cupboard Towers

- 60 mm black plastic casters - 2 locking, 2 non-locking (casters ship detached)
- RGT and LFT designate the side of the cabinet with the coat closet (wardrobe)
- Cabinet includes three locks, keyed alike



WCTM04h-RGT-BBF

Product No.	H	W	D	Pkg Wt	List Price
3-High Mobile Wardrobe-Cupboard Towers (no adjustable cupboard shelf)					
WCTM03h-LFT-BBF	43 ₂	24	24	165 lbs	\$2,000
WCTM03h-LFT-FF	43	24	24	160 lbs	\$1,960
WCTM03h-RGT-BBF	43	24	24	165 lbs	\$2,000
WCTM03h-RGT-FF	43	24	24	160 lbs	\$1,960
4-High Mobile Wardrobe-Cupboard Towers (one adjustable cupboard shelf)					
WCTM04h-LFT-BBF	55	24	24	180 lbs	\$2,200
WCTM04h-LFT-FF	55	24	24	175 lbs	\$2,160
WCTM04h-RGT-BBF	55	24	24	180 lbs	\$2,200
WCTM04h-RGT-FF	55	24	24	175 lbs	\$2,160

Tower Accessory - Work Surface Support Bracket

- For use with any BTW, CTW, WBT, WCT, or single-door wardrobe tower
- Includes self-tapping screws for field installation to a tower (screws for attaching the work surface are not included)
- Specify paint color when ordering

Product No.	List Price
TOWER WS SPPT BKT	\$75



Single-Door Wardrobe Towers

- Includes one fixed shelf at the top with a coat rod below (42h and 46h wardrobes have a coat rod only)
- Adjustable shelves can be ordered separately – see below.
- RGT and LFT designate the hinge side.
- Single-door wardrobes are not designed for freestanding use and must be secured from tipping.
- Special-order items – extended lead time
- Special 18” and 30” depths also available – email sales@metalarcinc.com for information. Minimum order quantities may apply.
- Note: 4-high single-door wardrobe towers feature a slim top that does not align with the standard top used on 4-high lateral files or storage cabinets. Also, the height of a 5-high single-door wardrobe tower is shorter than that of a standard 5hB lateral file or storage cabinet.



W04h9w24d-LFT

Product No.	H	W	D	Pkg Wt	List Price
42” Single-Door Wardrobes (coat rod only; no shelf)					
W42h9w24d-LFT	42	9	24	91 lbs.	\$915
W42h9w24d-RGT	42	9	24	91 lbs.	\$915
W42h12w24d-LFT	42	12	24	96 lbs.	\$965
W42h12w24d-RGT	42	12	24	96 lbs.	\$965
46” Single-Door Wardrobes (coat rod only; no shelf)					
W46h9w24d-LFT	46	9	24	95 lbs.	\$920
W46h9w24d-RGT	46	9	24	95 lbs.	\$920
W46h12w24d-LFT	46	12	24	100 lbs.	\$970
W46h12w24d-RGT	46	12	24	100 lbs.	\$970
49.5” Single-Door Wardrobes (fixed shelf with coat rod below)					
W49.5h9w24d-LFT	49- ¹ / ₂	9	24	95 lbs.	\$924
W49.5h9w24d-RGT	49- ¹ / ₂	9	24	95 lbs.	\$924
W49.5h12w24d-LFT	49- ¹ / ₂	12	24	100 lbs.	\$974
W49.5h12w24d-RGT	49- ¹ / ₂	12	24	100 lbs.	\$974
4-High Single-Door Wardrobes (fixed shelf with coat rod below)					
W04h9w24d-LFT	51- ¹ / ₂	9	24	98 lbs.	\$925
W04h9w24d-RGT	51- ¹ / ₂	9	24	98 lbs.	\$925
W04h12w24d-LFT	51- ¹ / ₂	12	24	103 lbs.	\$975
W04h12w24d-RGT	51- ¹ / ₂	12	24	103 lbs.	\$975
5-High Single-Door Wardrobes (fixed shelf with coat rod below)					
W05h9w24d-LFT	63- ¹ / ₂	9	24	108 lbs.	\$975
W05h9w24d-RGT	63- ¹ / ₂	9	24	108 lbs.	\$975
W05h12w24d-LFT	63- ¹ / ₂	12	24	113 lbs.	\$1,025
W05h12w24d-RGT	63- ¹ / ₂	12	24	113 lbs.	\$1,025

Additional Shelves*

Product No.	Pkg Wt	List Price
W SHELF 9w24d	4 lbs.	\$80
W SHELF 12w24d	4 lbs.	\$80

* All 9w and 12w wardrobes have shelf clip locations for two adjustable shelves, regardless of height. Taller wardrobes (49.5h, 4h and 5h) also have a fixed shelf on top that comes standard with the cabinets.

LOCKERS

- Leveling glides with 1” adjustability
- Concealed hinges with easy-adjustment capability
- Full Pulls are standard on all locker doors.
- Optional perforated doors – see below
- Choice of standard cam locks or electronic locks (see below)
- Optional hasp locks

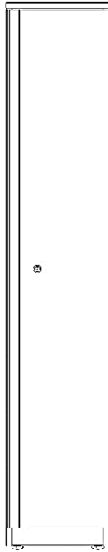


Electronic Locks for Lockers

- Brushed silver finish
- User, Supervisor, and Master access level codes
- Default “station mode” setting for repeat use by a single user
- Optional “locker mode” setting for one-time access (such as in clubs or hotels)
- Powered by a replaceable CR-2032 lithium-ion battery
- Optional “User” and “Supervisor” key fobs available – call for details



Full Height Doors – Single-Wide

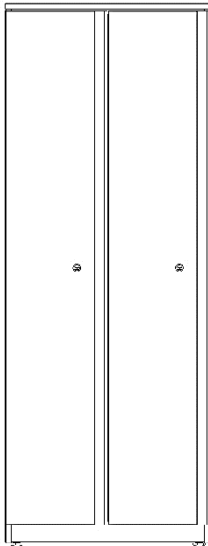


LKR64H12W18D-1-RGT

Product No.	H	W	D	Pkg Wt	List Price
Standard Locks					
LKR64H12W18D-1-LFT	64	12	18		\$1,100
LKR64H12W18D-1-RGT	64	12	18		\$1,100
LKR64H15W18D-1-LFT	64	15	18		\$1,175
LKR64H15W18D-1-RGT	64	15	18		\$1,175
Electronic Locks					
E-LKR64H12W18D-1-LFT	64	12	18		\$1,350
E-LKR64H12W18D-1-RGT	64	12	18		\$1,350
E-LKR64H15W18D-1-LFT	64	15	18		\$1,425
E-LKR64H15W18D-1-RGT	64	15	18		\$1,425

- Includes shelf and two coat hooks per compartment
- LFT and RGT denote hinge side

Full Height Doors – Double-Wide

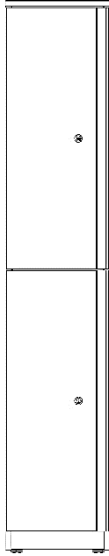


LKR64H24W18D-11-LFT

Product No.	H	W	D	Pkg Wt	List Price
Standard Locks					
LKR64H24W18D-11-LFT	64	24	18		\$1,700
LKR64H24W18D-11-RGT	64	24	18		\$1,700
LKR64H30W18D-11-LFT	64	30	18		\$1,850
LKR64H30W18D-11-RGT	64	30	18		\$1,850
Electronic Locks					
E-LKR64H24W18D-11-LFT	64	24	18		\$2,200
E-LKR64H24W18D-11-RGT	64	24	18		\$2,200
E-LKR64H30W18D-11-LFT	64	30	18		\$2,350
E-LKR64H30W18D-11-RGT	64	30	18		\$2,350

- Includes shelf and two coat hooks per compartment
- LFT and RGT denote hinge side

Half Height Doors – Single-Wide

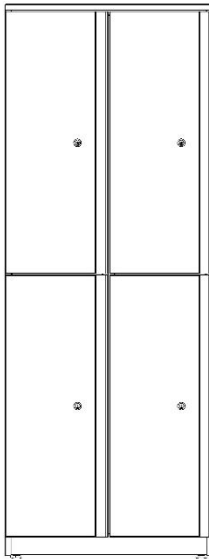


LKR64H12W18D-2-LFT

Product No.	H	W	D	Pkg Wt	List Price
Standard Locks					
LKR64H12W18D-2-LFT	64	12	18		\$1,200
LKR64H12W18D-2-RGT	64	12	18		\$1,200
LKR64H15W18D-2-LFT	64	15	18		\$1,275
LKR64H15W18D-2-RGT	64	15	18		\$1,275
Electronic Locks					
E-LKR64H12W18D-2-LFT	64	12	18		\$1,700
E-LKR64H12W18D-2-RGT	64	12	18		\$1,700
E-LKR64H15W18D-2-LFT	64	15	18		\$1,775
E-LKR64H15W18D-2-RGT	64	15	18		\$1,775

- Includes two coat hooks per compartment
- LFT and RGT denote hinge side

Half Height Doors – Double-Wide



LKR64H24W18D-22-LFT

Product No.	H	W	D	Pkg Wt	List Price
Standard Locks					
LKR64H24W18D-22-LFT	64	24	18		\$1,900
LKR64H24W18D-22-RGT	64	24	18		\$1,900
LKR64H30W18D-22-LFT	64	30	18		\$2,050
LKR64H30W18D-22-RGT	64	30	18		\$2,050
Electronic Locks					
E-LKR64H24W18D-22-LFT	64	24	18		\$2,900
E-LKR64H24W18D-22-RGT	64	24	18		\$2,900
E-LKR64H30W18D-22-LFT	64	30	18		\$3,050
E-LKR64H30W18D-22-RGT	64	30	18		\$3,050

- Includes two coat hooks per compartment
- LFT and RGT denote hinge side

Cubby Height Doors – Single-Wide

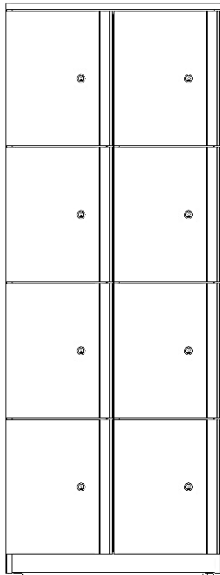


LKR64H12W18D-4-RGT

Product No.	H	W	D	Pkg Wt	List Price
Standard Locks					
LKR64H12W18D-4-LFT	64	12	18		\$1,450
LKR64H12W18D-4-RGT	64	12	18		\$1,450
LKR64H15W18D-4-LFT	64	15	18		\$1,525
LKR64H15W18D-4-RGT	64	15	18		\$1,525
Electronic Locks					
E-LKR64H12W18D-4-LFT	64	12	18		\$2,450
E-LKR64H12W18D-4-RGT	64	12	18		\$2,450
E-LKR64H15W18D-4-LFT	64	15	18		\$2,525
E-LKR64H15W18D-4-RGT	64	15	18		\$2,525

- LFT and RGT denote hinge side

Cubby Height Doors – Double-Wide



LKR64H24W18D-44-LFT

Product No.	H	W	D	Pkg Wt	List Price
Standard Locks					
LKR64H24W18D-44-LFT	64	24	18		\$2,400
LKR64H24W18D-44-RGT	64	24	18		\$2,400
LKR64H30W18D-44-LFT	64	30	18		\$2,550
LKR64H30W18D-44-RGT	64	30	18		\$2,550
Electronic Locks					
E-LKR64H24W18D-44-LFT	64	24	18		\$4,400
E-LKR64H24W18D-44-RGT	64	24	18		\$4,400
E-LKR64H30W18D-44-LFT	64	30	18		\$4,550
E-LKR64H30W18D-44-RGT	64	30	18		\$4,550

- LFT and RGT denote hinge side

OVERHEAD STORAGE CABINETS & SHELVES

QUALITY STANDARD FEATURES

- Heavy-gauge side and bottom panels for extra support and security
- Overhead cabinets feature a door that flips up and recedes over the top of the cabinet, revealing a fixed shelf with 12- $\frac{3}{4}$ " of clearance
- Flipper doors feature ball-bearing slides for years of smooth, hassle-free operation
- Cabinets meet or exceed ANSI-BIFMA standards for safety and reliability

VERSATILITY

- Seven standard widths
- Compatibility with several industry-standard panel systems

OPTIONAL ACCESSORIES

- Magnetic shelf dividers (see bookcase accessories)

* Note: All overhead storage cabinets and shelves ship knocked down and include assembly instructions.



Overhead Storage Cabinets



Product No.	H	W	D	Pkg Wt	List Price
OHS24w-[end panel type]	15	24	13-1/2	33 lbs	\$508
OHS30w-[end panel type]	15	30	13-1/2	36 lbs	\$510
OHS36w-[end panel type]	15	36	13-1/2	41 lbs	\$530
OHS42w-[end panel type]	15	42	13-1/2	43 lbs	\$555
OHS48w-[end panel type]	15	48	13-1/2	48 lbs	\$585
OHS54w-[end panel type]	15	54	13-1/2	51 lbs	\$710
OHS60w-[end panel type]	15	60	13-1/2	55 lbs	\$735

Specify End Panel Choice When Ordering:

- WMT = Wall Mounted (includes wall bracket and mounting hardware)
- HMA = Herman Miller Action Office™
- HWU = Haworth Unigroup™
- SCA = Steelcase Avenir™
- ANS = Steelcase Answer™
- PRE = Haworth Premise™
- DIV = Knoll Dividends™
- MOR = Knoll Morrison™

Half-Height Overhead Shelves



Product No.	H	W	D	Pkg Wt	List Price
HHS24w-[end panel type]	7	24	13-1/2	21 lbs	\$220
HHS30w-[end panel type]	7	30	13-1/2	22 lbs	\$230
HHS36w-[end panel type]	7	36	13-1/2	24 lbs	\$240
HHS42w-[end panel type]	7	42	13-1/2	26 lbs	\$250
HHS48w-[end panel type]	7	48	13-1/2	30 lbs	\$260
HHS54w-[end panel type]	7	54	13-1/2	31 lbs	\$290
HHS60w-[end panel type]	7	60	13-1/2	32 lbs	\$300

Specify End Panel Choice When Ordering:

- HMA = Herman Miller Action Office™
- HWU = Haworth Unigroup™
- SCA = Steelcase Avenir™
- ANS = Steelcase Answer™
- PRE = Haworth Premise™
- DIV = Knoll Dividends™
- MOR = Knoll Morrison™

CENTER DRAWERS

Metal Center Drawer

Product No.	H	W	D	Pkg Wt	List Price
CENDRWMTL	2-7/8	19-1/8	17-1/8	14 lbs	\$230



- All steel construction
- Mounts to underside of work surface
- Full-extension, ball-bearing drawer slides with quick disconnect and anti-rebound features
- Choice of numerous paint colors
- Choice of several lock styles



Plastic Center Drawer

Product No.	H	W	D	Pkg Wt	List Price
CENDRKV75	2	21-1/2	16	8 lbs	\$125

- Economical drawer made of black plastic
- Mounts to underside of work surface
- 3/4-extension, ball bearing drawer slides
- Non-locking



Mini Plastic Center Drawer

- Black plastic drawer with removable tray
- Shallow depth will not interfere with hat channel supports
- Interior dimensions of 11-1/2" wide x 6-1/2" deep x 2" high
- Exterior dimensions of 15" wide x 8-1/4" deep x 2-1/4" high

Product No.	List Price
HATA-CDM-BLK	\$137

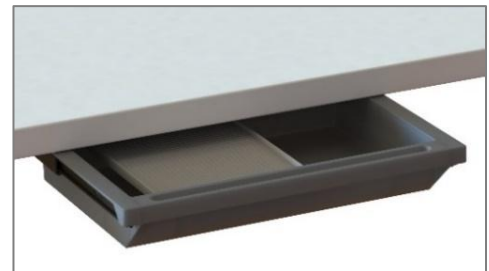


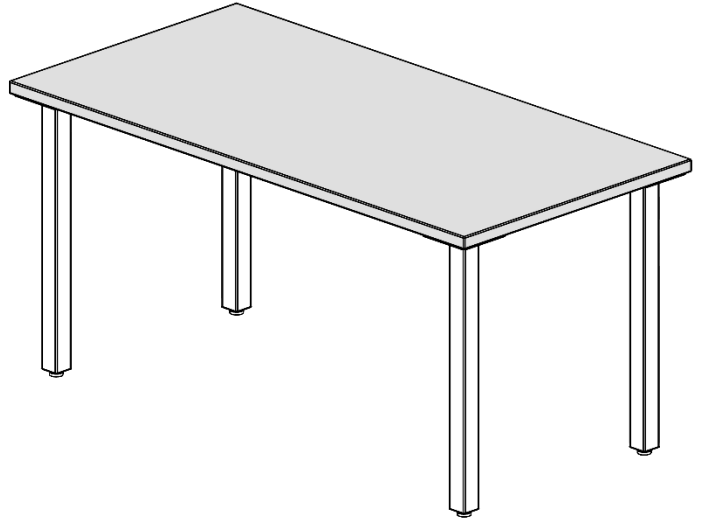
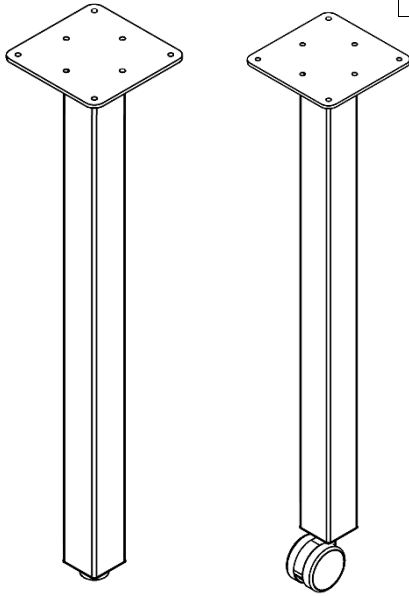
TABLE LEGS

Sitting-Height Table Legs

Square Post Legs - Standard

- 2" square vertical tube
- 5-3/4" x 5-3/4" top plate

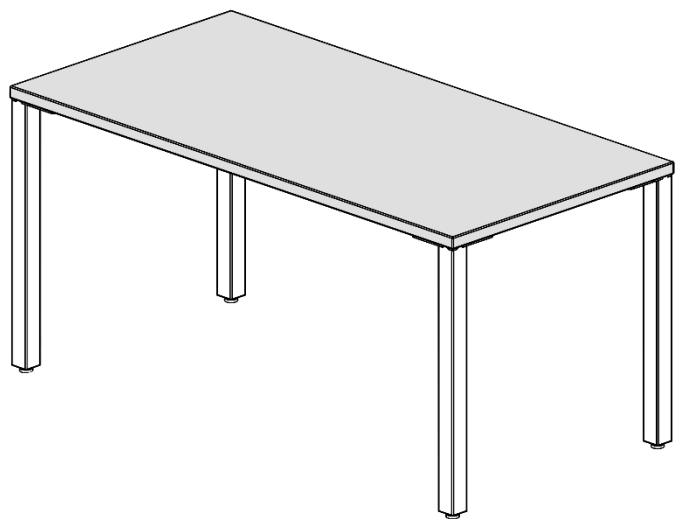
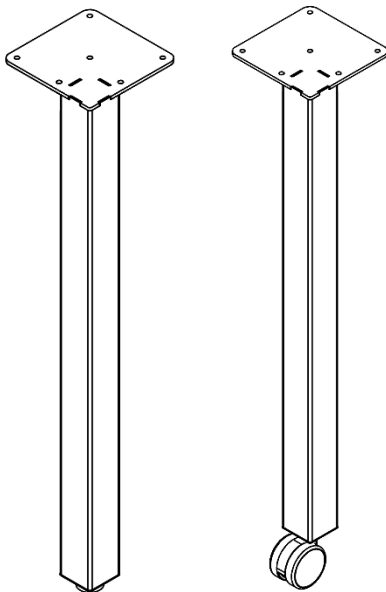
Product No.	Description	H	List Price
POST LEG 2SQ 27h	Leveling glide	27-3/4	\$126
MB POST LEG 2SQ 27h	60 mm locking caster	27-3/4	\$173



Square Post Legs - Corner

- 2" square vertical tube
- 5-3/4" x 5-3/4" top plate

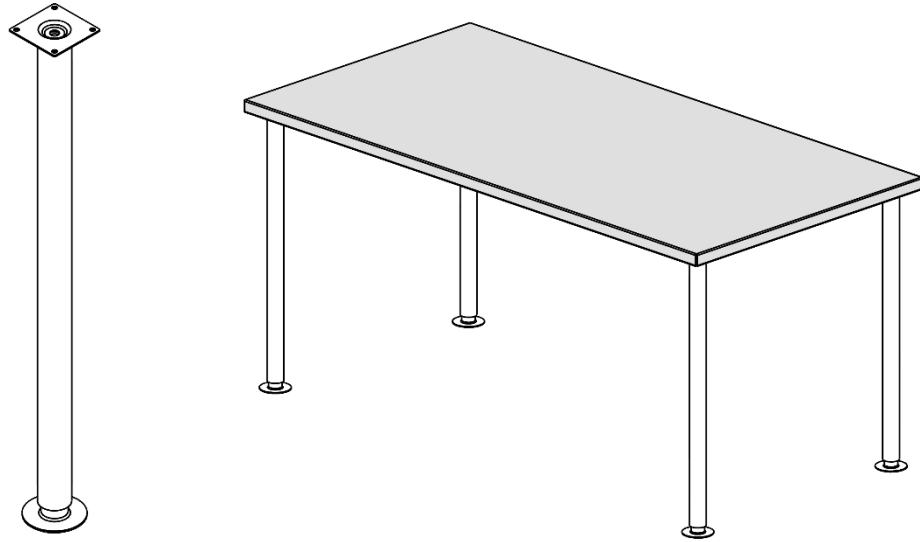
Product No.	Description	H	List Price
POST LEG <u>CRN</u> 2SQ 27h	Leveling glide	27-3/4	\$146
MB POST LEG <u>CRN</u> 2SQ 27h	60 mm locking caster	27-3/4	\$193



Round Legs

- Economical table leg made from 2” round tube
- Brushed nickel finish (may not be painted) and 4” x 4” top plate
- Adjustable bottom foot allows for $\frac{5}{8}$ ” of height adjustability (from 27- $\frac{5}{8}$ ” to 28- $\frac{1}{4}$ ”)

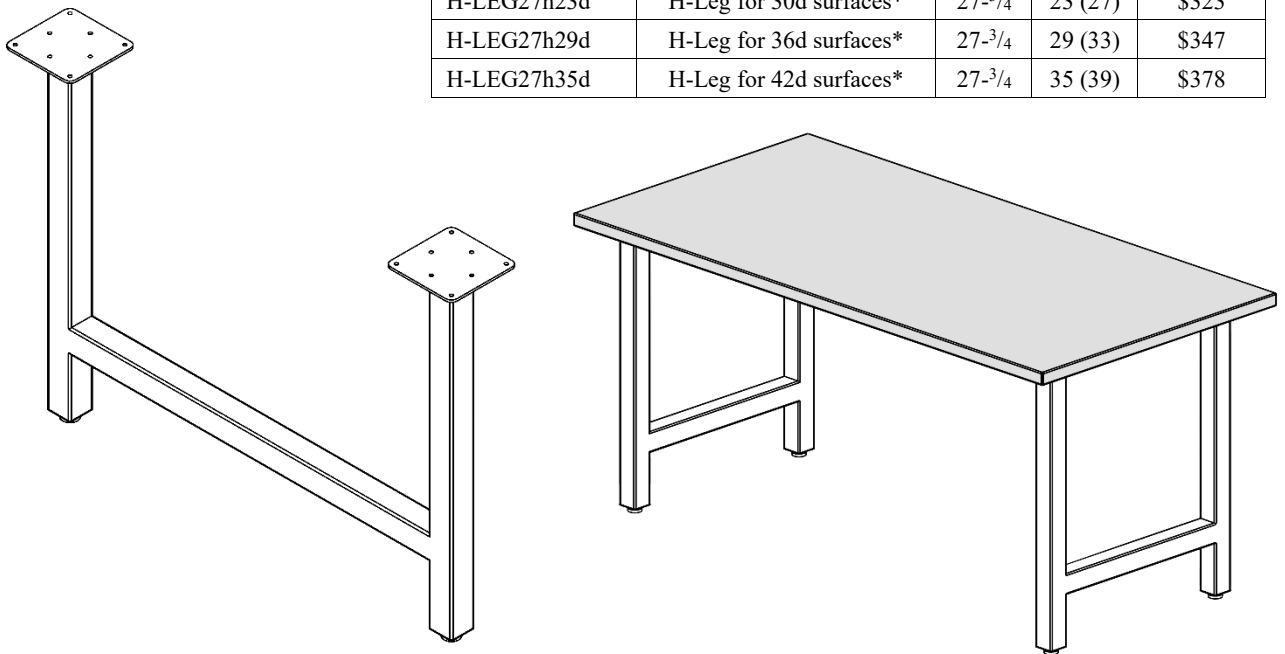
Product No.	H	List Price
OP-RDLEG27.75	27- $\frac{5}{8}$ ” to 28- $\frac{1}{4}$ ”	\$50



H-Legs

- 2” square tubes / leveling glides
- 5- $\frac{3}{4}$ ” x 5- $\frac{3}{4}$ ” top plate

Product No.	Description	H	D*	List Price
H-LEG27h17d	H-Leg for 24d surfaces*	27- $\frac{3}{4}$	17 (21)	\$308
H-LEG27h23d	H-Leg for 30d surfaces*	27- $\frac{3}{4}$	23 (27)	\$323
H-LEG27h29d	H-Leg for 36d surfaces*	27- $\frac{3}{4}$	29 (33)	\$347
H-LEG27h35d	H-Leg for 42d surfaces*	27- $\frac{3}{4}$	35 (39)	\$378

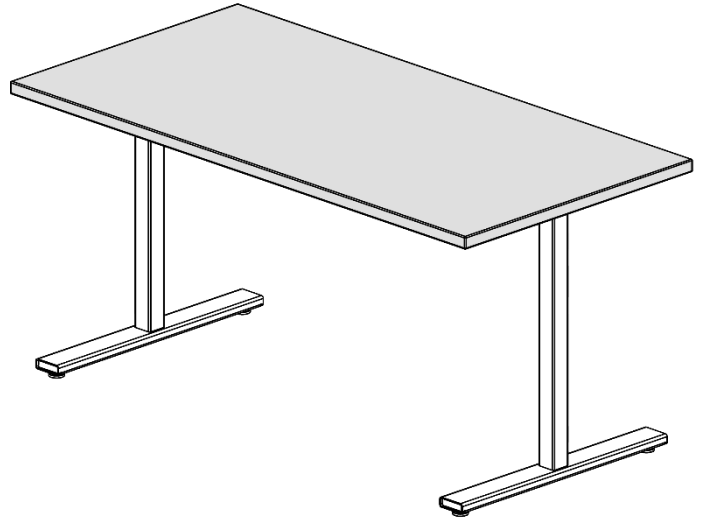
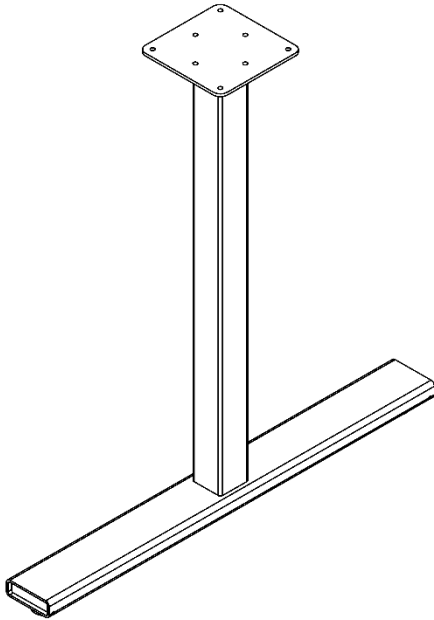


*** ▲ IMPORTANT:** H-Leg depths are based on the outside edges of the tubes. The top plates are centered on the tubes and add 4” to the overall depths. For example, an H-LEG27h17d has a depth of 17” based on the outside edges of the tubes, but that depth grows to 21” when measured from the outside edges of the two top plates. For this reason, the depth of the work surface must be at least 4” greater than the nominal depth of the chosen H-Leg. For example, an H-LEG27h17d must be used with a work surface that is at least 21” deep.

T-Legs

- 2" square vertical tube
- 3" x 1" rectangular tube foot
- Leveling glides
- 5-³/₄" x 5-³/₄" top plate

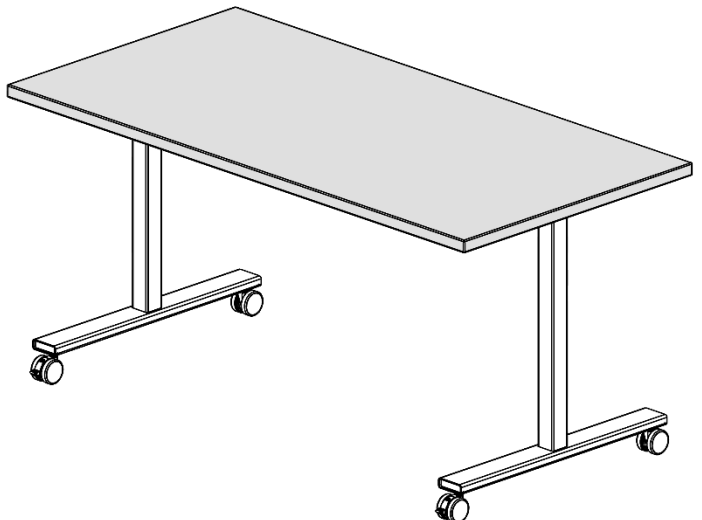
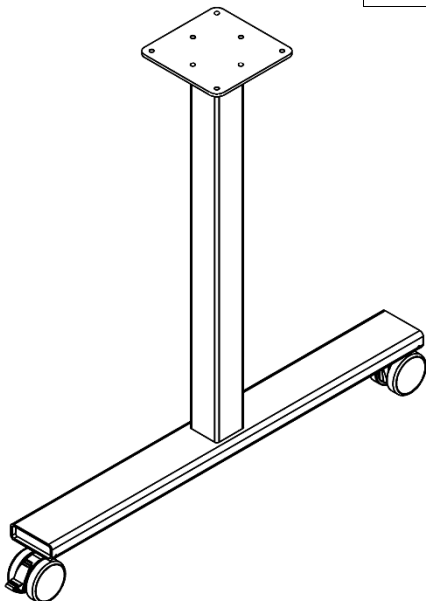
Product No.	Description	H	D	List Price
T-LEG27h15d	T-Leg for 18d surfaces	27- ³ / ₄	15	\$229
T-LEG27h21d	T-Leg for 24d surfaces	27- ³ / ₄	21	\$252
T-LEG27h27d	T-Leg for 30d surfaces	27- ³ / ₄	27	\$292



T-Legs - Mobile

- 60 mm casters (1 locking)

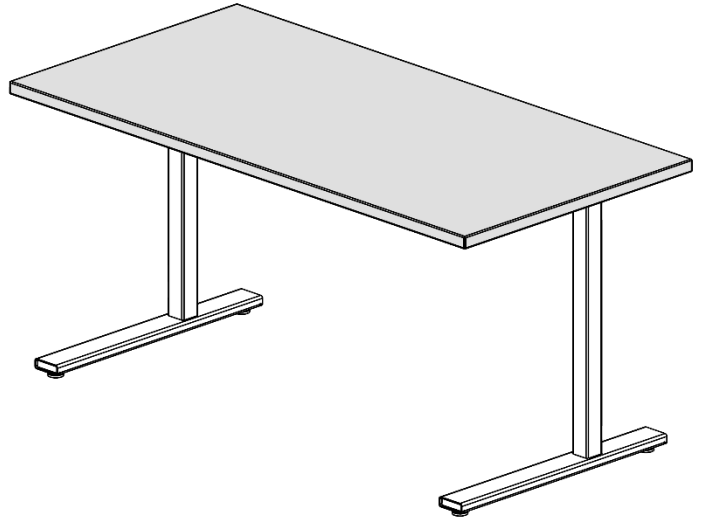
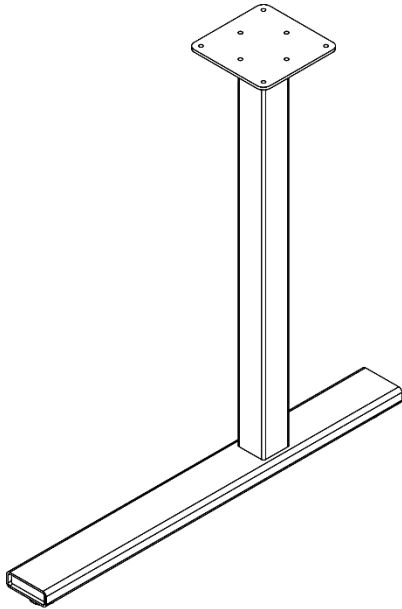
Product No.	Description	H	D	List Price
MBT-LEG27h15d	Mobile T-Leg for 18d surfaces	27- ³ / ₄	15	\$323
MBT-LEG27h21d	Mobile T-Leg for 24d surfaces	27- ³ / ₄	21	\$347
MBT-LEG27h27d	Mobile T-Leg for 30d surfaces	27- ³ / ₄	27	\$386



C-Legs

- 2” square vertical tube
- 3” x 1” rectangular tube foot
- Leveling glides
- 5-³/₄” x 5-³/₄” top plate

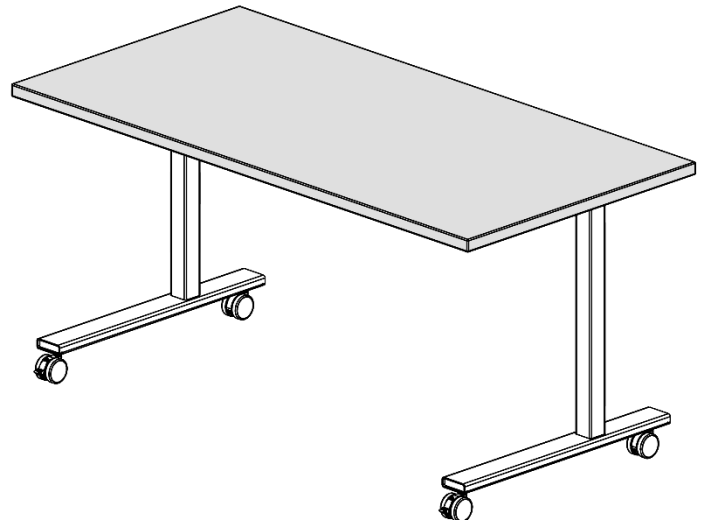
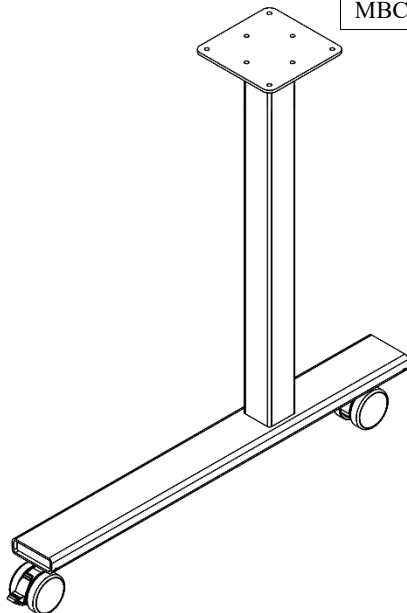
Product No.	Description	H	D	List Price
C-LEG27h15d	C-Leg for 18d surfaces	27- ³ / ₄	15	\$229
C-LEG27h21d	C-Leg for 24d surfaces	27- ³ / ₄	21	\$252
C-LEG27h27d	C-Leg for 30d surfaces	27- ³ / ₄	27	\$292



C-Legs - Mobile

- 60 mm casters (1 locking)

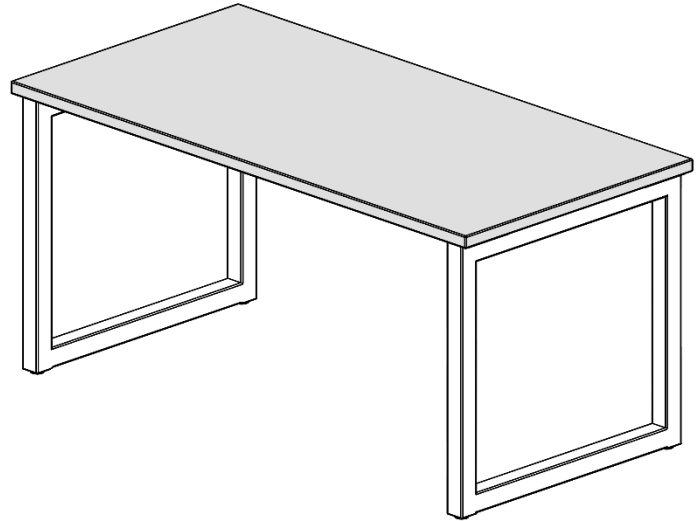
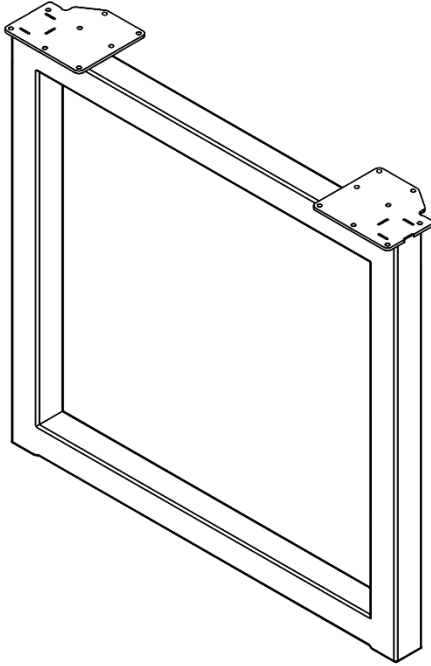
Product No.	Description	H	D	List Price
MBC-LEG27h15d	Mobile C-Leg for 18d surfaces	27- ³ / ₄	15	\$323
MBC-LEG27h21d	Mobile C-Leg for 24d surfaces	27- ³ / ₄	21	\$347
MBC-LEG27h27d	Mobile C-Leg for 30d surfaces	27- ³ / ₄	27	\$386



O-Legs

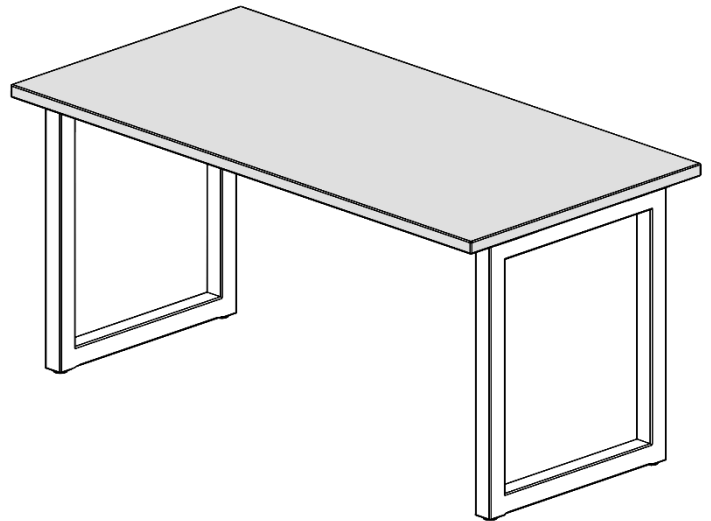
- 2" square tubes
- Leveling glides
- 5-³/₄" x 5-¹/₈" top plates

Product No.	Description*	H	D	List Price
O-LEG27h17d	O-Leg for 18d or 24d surfaces	27- ³ / ₄	17	\$347
O-LEG27h23d	O-Leg for 24d or 30d surfaces	27- ³ / ₄	23	\$363
O-LEG27h29d	O-Leg for 30d or 36d surfaces	27- ³ / ₄	29	\$386
O-LEG27h35d	O-Leg for 36d or 42d surfaces	27- ³ / ₄	35	\$418



O-LEG27H29D with 30" deep work surface

NOTE: O-Legs must be inset from the ends of a work surface by a minimum of ³/₄" to allow for attachment of the top plates.



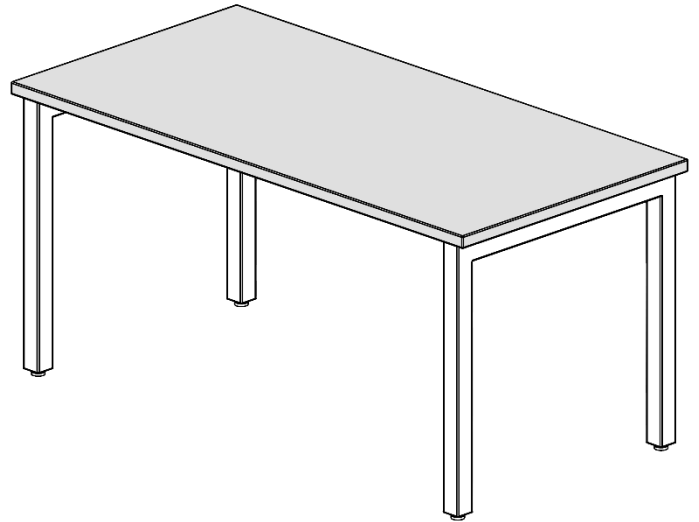
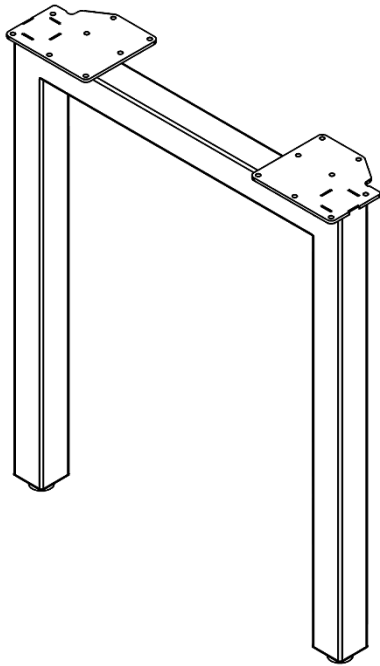
O-LEG27H23D with 30" deep work surface

* **Note Regarding Leg and Work Surface Depths:** Depending on the desired appearance, a particular O-Leg may be used for two different work surface depths as noted in the descriptions. The appearance difference is illustrated in the line drawings above.

U-Legs

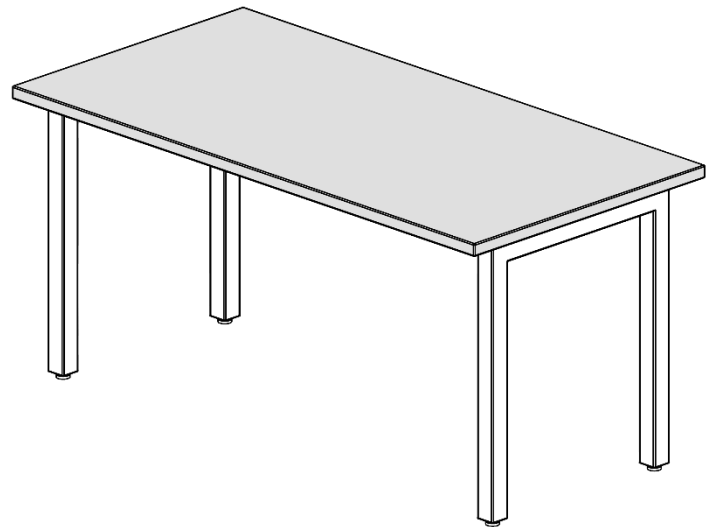
- 2" square tubes
- Leveling glides
- 5-³/₄" x 5-¹/₈" top plates

Product No.	Description*	H	D	List Price
U-LEG27h17d	U-Leg for 18d or 24d surfaces	27- ³ / ₄	17	\$308
U-LEG27h23d	U-Leg for 24d or 30d surfaces	27- ³ / ₄	23	\$323
U-LEG27h29d	U-Leg for 30d or 36d surfaces	27- ³ / ₄	29	\$347
U-LEG27h35d	U-Leg for 36d or 42d surfaces	27- ³ / ₄	35	\$378



U-LEG27H29D with 30" deep work surface

NOTE: U-Legs must be inset from the ends of a work surface by a minimum of ³/₄" to allow for attachment of the top plates.



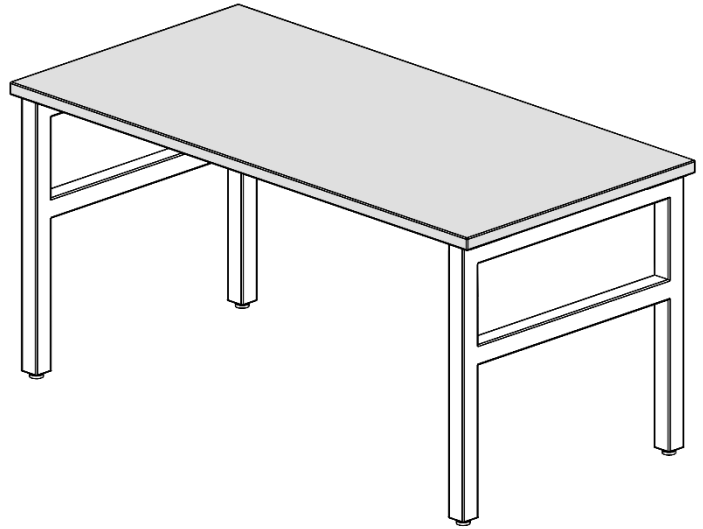
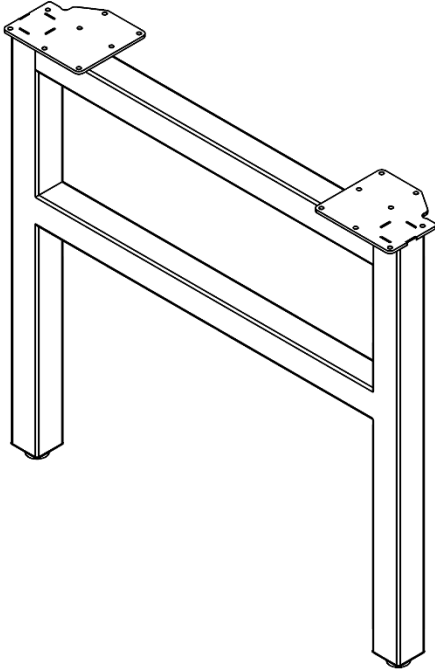
U-LEG27H23D with 30" deep work surface

* **Note Regarding Leg and Work Surface Depths:** Depending on the desired appearance, a particular U-Leg may be used for two different work surface depths as noted in the descriptions. The appearance difference is illustrated in the line drawings above.

A-Legs

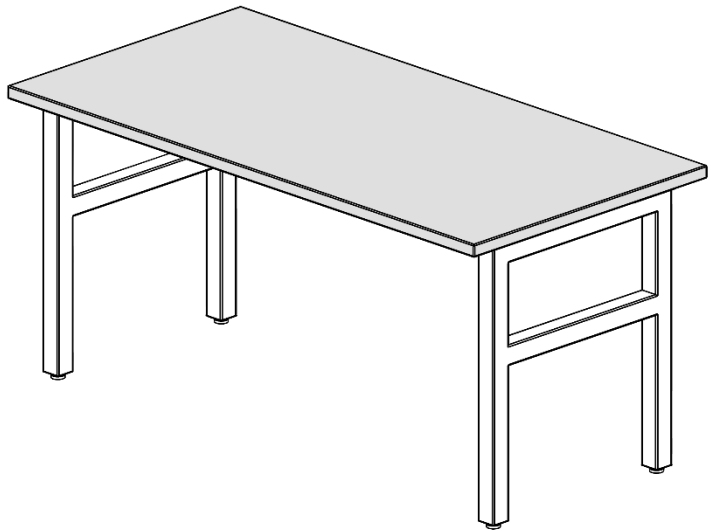
- 2" square tubes
- Leveling glides
- 5-³/₄" x 5-¹/₈" top plates

Product No.	Description*	H	D	List Price
A-LEG27h17d	A-Leg for 18d or 24d surfaces	27- ³ / ₄	17	\$347
A-LEG27h23d	A-Leg for 24d or 30d surfaces	27- ³ / ₄	23	\$363
A-LEG27h29d	A-Leg for 30d or 36d surfaces	27- ³ / ₄	29	\$386
A-LEG27h35d	A-Leg for 36d or 42d surfaces	27- ³ / ₄	35	\$418



A-LEG27H29D with 30" deep work surface

NOTE: A-Legs must be inset from the ends of a work surface by a minimum of ³/₄" to allow for attachment of the top plates.



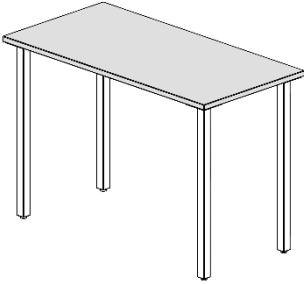
A-LEG27H23D with 30" deep work surface

* **Note Regarding Leg and Work Surface Depths:** Depending on the desired appearance, a particular A-Leg may be used for two different work surface depths as noted in the descriptions. The appearance difference is illustrated in the line drawings above.

Standing-Height Table Legs

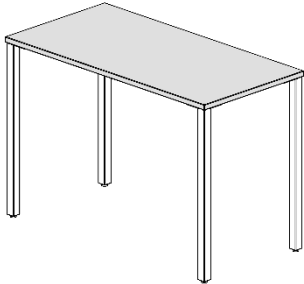
Post Legs, H-Legs, O-Legs, U-Legs and A-Legs may also be ordered in a standing-height of 39.5". These extended-height legs may be used with any standard 3-high Metal Arc lateral file, storage cabinet, or bookcase to create a standing-height work area.

Post Leg – Standard



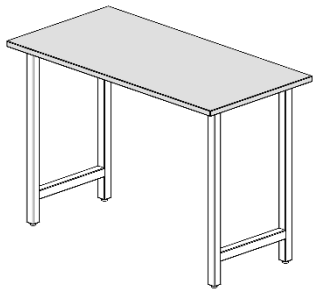
Product No.	H	List Price
POST LEG 2SQ 39h	39-1/2	\$185

Post Leg – Corner



Product No.	H	List Price
POST LEG CRN 2SQ 39h	39-1/2	\$205

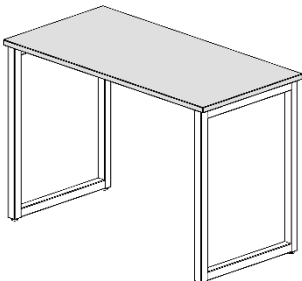
H-Legs



Product No.	Description	H	D	List Price
H-LEG39h17d	H-Leg for 24d surfaces*	39-1/2	17 (21)	\$426
H-LEG39h23d	H-Leg for 30d surfaces*	39-1/2	23 (27)	\$441
H-LEG39h29d	H-Leg for 36d surfaces*	39-1/2	29 (33)	\$465
H-LEG39h35d	H-Leg for 42d surfaces*	39-1/2	35 (39)	\$497

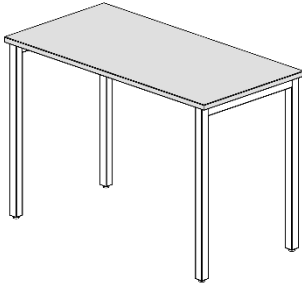
* **▲ IMPORTANT:** The depth of the work surface must be at least 4" greater than the nominal depth of the chosen H-Leg. For example, an H-LEG39h17d must be used with a work surface that is at least 21" deep.

O-Legs



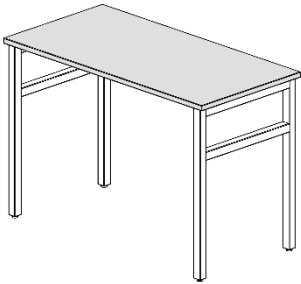
Product No.	Description	H	D	List Price
O-LEG39h17d	O-Leg for 18d or 24d surfaces	39-1/2	17	\$465
O-LEG39h23d	O-Leg for 24d or 30d surfaces	39-1/2	23	\$481
O-LEG39h29d	O-Leg for 30d or 36d surfaces	39-1/2	29	\$504
O-LEG39h35d	O-Leg for 36d or 42d surfaces	39-1/2	35	\$536

U-Legs



Product No.	Description	H	D	List Price
U-LEG39h17d	U-Leg for 18d or 24d surfaces	39-1/2	17	\$426
U-LEG39h23d	U-Leg for 24d or 30d surfaces	39-1/2	23	\$441
U-LEG39h29d	U-Leg for 30d or 36d surfaces	39-1/2	29	\$465
U-LEG39h35d	U-Leg for 36d or 42d surfaces	39-1/2	35	\$497

A-Legs



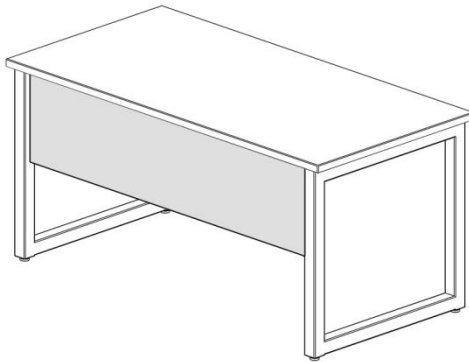
Product No.	Description	H	D	List Price
A-LEG39h17d	A-Leg for 18d or 24d surfaces	39-1/2	17	\$465
A-LEG39h23d	A-Leg for 24d or 30d surfaces	39-1/2	23	\$481
A-LEG39h29d	A-Leg for 30d or 36d surfaces	39-1/2	29	\$504
A-LEG39h35d	A-Leg for 36d or 42d surfaces	39-1/2	35	\$536



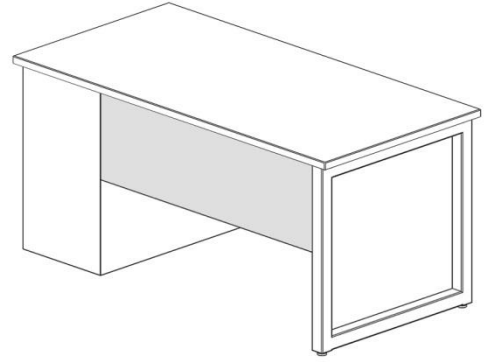
Modesty Panels for Table Legs

Standard Modesty Panels

Product No.	Description	H	W	List Price
MOD30	Modesty Panel for 36w 2-Leg Desk or 1 Leg/1 Ped 48w Desk	13- ¹ / ₂	29- ³ / ₄	\$136
MOD36	Modesty Panel for 42w 2-Leg Desk or 1 Leg/1 Ped 54w Desk	13- ¹ / ₂	35- ³ / ₄	\$152
MOD42	Modesty Panel for 48w 2-Leg Desk or 1 Leg/1 Ped 60w Desk	13- ¹ / ₂	41- ³ / ₄	\$168
MOD48	Modesty Panel for 54w 2-Leg Desk or 1 Leg/1 Ped 66w Desk	13- ¹ / ₂	47- ³ / ₄	\$184
MOD54	Modesty Panel for 60w 2-Leg Desk or 1 Leg/1 Ped 72w Desk	13- ¹ / ₂	53- ³ / ₄	\$201
MOD60	Modesty Panel for 66w 2-Leg Desk	13- ¹ / ₂	59- ³ / ₄	\$216
MOD66	Modesty Panel for 72w 2-Leg Desk	13- ¹ / ₂	65- ³ / ₄	\$233



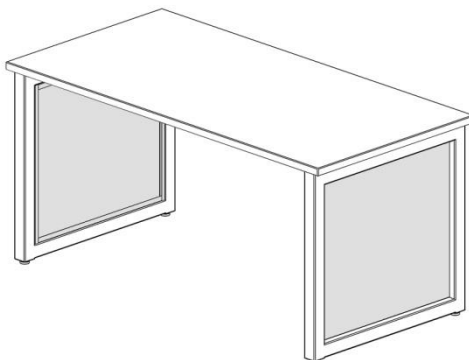
MOD54 with (2) O-LEG27H29D



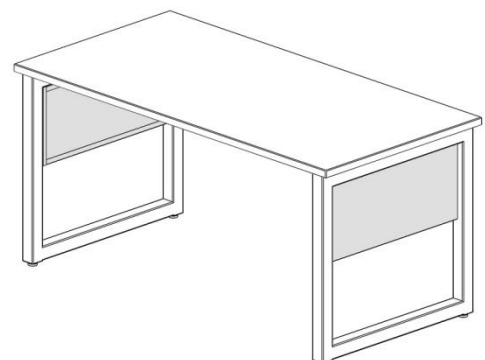
MOD42 with (1) O-LEG27H29D & (1) Ped

Product No.	Description	H	D	List Price
MOD END FULL 17	Full-height modesty panel for 17d O-Leg or U-Leg	22- ¹⁵ / ₁₆	13	\$125
MOD END FULL 23	Full-height modesty panel for 23d O-Leg or U-Leg	22- ¹⁵ / ₁₆	19	\$141
MOD END FULL 29	Full-height modesty panel for 29d O-Leg or U-Leg	22- ¹⁵ / ₁₆	25	\$157
MOD END FULL 35	Full-height modesty panel for 35d O-Leg or U-Leg	22- ¹⁵ / ₁₆	31	\$174

MOD END HALF 17	Half-height modesty panel for 17d O-Leg or U-Leg	11- ⁵ / ₁₆	13	\$114
MOD END HALF 23	Half-height modesty panel for 23d O-Leg or U-Leg	11- ⁵ / ₁₆	19	\$130
MOD END HALF 29	Half-height modesty panel for 29d O-Leg or U-Leg	11- ⁵ / ₁₆	25	\$146
MOD END HALF 35	Half-height modesty panel for 35d O-Leg or U-Leg	11- ⁵ / ₁₆	31	\$163



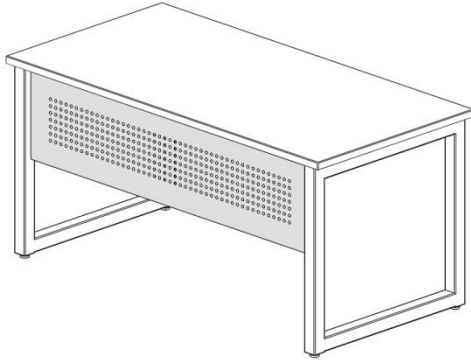
(2) **MOD END FULL 29** in (2) O-LEG27H29D



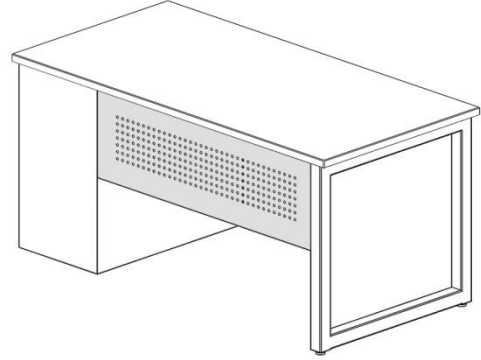
(2) **MOD END HALF 29** in (2) O-LEG27H29D

Perforated Modesty Panels

Product No.	Description	H	W	List Price
MOD30 PERF	Modesty Panel for 36w 2-Leg Desk or 1 Leg/1 Ped 48w Desk	13- ¹ / ₂	29- ³ / ₄	\$189
MOD36 PERF	Modesty Panel for 42w 2-Leg Desk or 1 Leg/1 Ped 54w Desk	13- ¹ / ₂	35- ³ / ₄	\$206
MOD42 PERF	Modesty Panel for 48w 2-Leg Desk or 1 Leg/1 Ped 60w Desk	13- ¹ / ₂	41- ³ / ₄	\$222
MOD48 PERF	Modesty Panel for 54w 2-Leg Desk or 1 Leg/1 Ped 66w Desk	13- ¹ / ₂	47- ³ / ₄	\$238
MOD54 PERF	Modesty Panel for 60w 2-Leg Desk or 1 Leg/1 Ped 72w Desk	13- ¹ / ₂	53- ³ / ₄	\$254
MOD60 PERF	Modesty Panel for 66w 2-Leg Desk	13- ¹ / ₂	59- ³ / ₄	\$271
MOD66 PERF	Modesty Panel for 72w 2-Leg Desk	13- ¹ / ₂	65- ³ / ₄	\$287



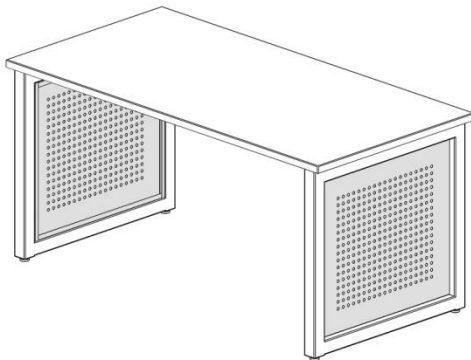
MOD54 PERF with (2) O-LEG27H29D



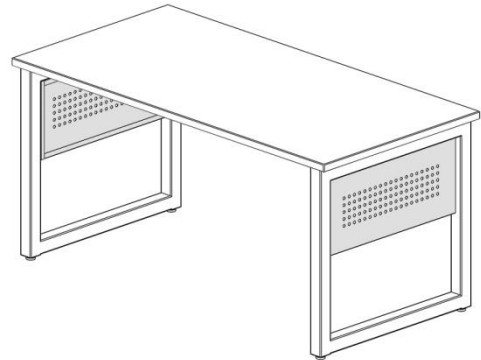
MOD42 PERF with (1) O-LEG27H29D & (1) Ped

Product No.	Description	H	D	List Price
MOD END FULL 17 PERF	Full-height modesty panel for 17d O-Leg or U-Leg	22- ¹⁵ / ₁₆	13	\$179
MOD END FULL 23 PERF	Full-height modesty panel for 23d O-Leg or U-Leg	22- ¹⁵ / ₁₆	19	\$195
MOD END FULL 29 PERF	Full-height modesty panel for 29d O-Leg or U-Leg	22- ¹⁵ / ₁₆	25	\$212
MOD END FULL 35 PERF	Full-height modesty panel for 35d O-Leg or U-Leg	22- ¹⁵ / ₁₆	31	\$227

MOD END HALF 17 PERF	Half-height modesty panel for 17d O-Leg or U-Leg	11- ⁵ / ₁₆	13	\$168
MOD END HALF 23 PERF	Half-height modesty panel for 23d O-Leg or U-Leg	11- ⁵ / ₁₆	19	\$184
MOD END HALF 29 PERF	Half-height modesty panel for 29d O-Leg or U-Leg	11- ⁵ / ₁₆	25	\$201
MOD END HALF 35 PERF	Half-height modesty panel for 35d O-Leg or U-Leg	11- ⁵ / ₁₆	31	\$216



(2) **MOD END FULL 29 PERF** in (2) O-LEG27H29D



(2) **MOD END HALF 29 PERF** in (2) O-LEG27H29D

Information Regarding Modesty Panel Spacing and Installation

Desks with Two Legs

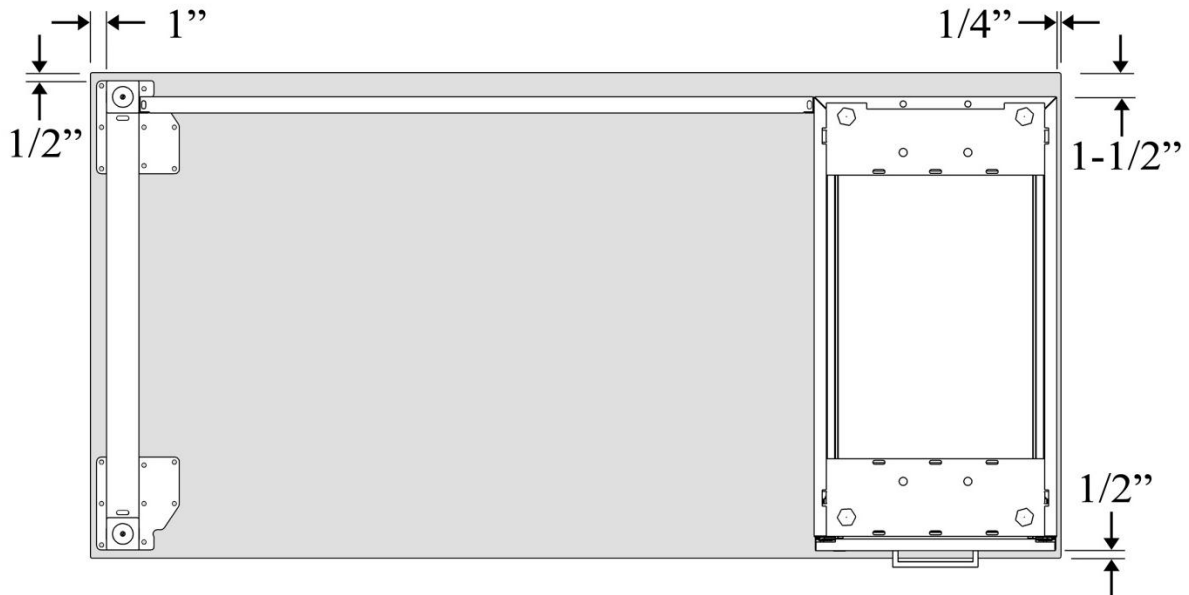
When building a desk with a modesty panel and two legs, each leg will be inset from the work surface by $1\text{-}\frac{1}{8}\text{'}$ on each end. Modesty panels are designed to screw directly into the desk legs using # 10 self-drilling screws (not included).



Desks with One Leg and One Work Surface Support Ped

When building a desk with a modesty panel that connects a pedestal file to a leg, the pedestal file will be inset from the end of the work surface by $\frac{1}{4}\text{'}$. The leg will be inset from the end by 1' .

From front-to-back, the leg will be inset $\frac{1}{2}\text{'}$ on each side, as shown below. The pedestal file will be set back $\frac{1}{2}\text{'}$ from the front of the work surface. Modesty panels are designed to screw directly into both the desk legs and pedestal files using # 10 self-drilling screws (not included).



HEIGHT-ADJUSTABLE TABLES

Easy Table Bases

Metal Arc’s “Easy” line of table bases provides an economical solution for those seeking a basic height-adjustable table with minimal options. For simple installation, Easy tables come standard with the surface support already attached to the column assembly.

FEATURES

- T-shaped base with leveling glides
- Up/Down hand switch*
- Meets BIFMA X5.5 standards / UL 962 approved
- Maximum load (including surface) of 250 pounds
- Height range of 27” to 46” (including surface)
- Base depth of 23” supports both 24” and 30” deep surfaces
- Compatible with surfaces from 36” to 72” wide; anti-sag bar recommended for surfaces 60” and greater in width
- Available in one of three powder coat paint finishes:
 - **Black** (SC Low Gloss Black - 4710)
 - **Silver** (SC Platinum Metallic - PM)
 - **White** (KB Designer White - 405)



Product No.	Color	Box Size	Pkg Wt	List Price
ESS2-SR-2430-T-UD-4710	Black	29 x 14 x 8	35 lbs	\$900
ESS2-SR-2430-T-UD-PM	Silver	29 x 14 x 8	35 lbs	\$900
ESS2-SR-2430-T-UD-405	White	29 x 14 x 8	35 lbs	\$900

* Four-position programmable hand switches may be ordered separately for Easy bases. Please contact sales@metalarcinc.com for more information.

Choices Table Bases

Choices bases are distinguished by their flexibility. Unlike the basic features for the Easy table bases, a Choices base can be specified with a variety of options as described below.

FEATURES

- Independent columns; anti-sag bar or hat channel recommended for surfaces over 60” wide
- Meets BIFMA X5.5 standards / UL 962 approved
- Maximum load (including surface) of 250 pounds for two-leg tables and 325 pounds for three-leg tables
- Height range of 28” to 47” (including surface) – additional range available for an upcharge
- Two-leg bases can support 36” to 84” wide work surfaces; stiffener recommended for surfaces over 60” wide
- Three-leg bases can support both 90-degree and 120-degree layouts.

OPTIONS

- 24” or 30” deep bases for 2-leg and 24”, 30”, or a 24”/30” combo for 3-leg / T-leg or C-leg bases
- Up/Down hand switch or four-position programmable hand switch
- Several standard colors – see page 36.

2-LEG BASES

Product No.	Features	Box Size	Pkg Wt	List Price
CLE2-SSE-24-C-PGM	24d Surfaces / C-Legs / Programmable Switch	35 x 12 x 9	37 lbs	\$1,154
CLE2-SSE-24-C-UD	24d Surfaces / C-Legs / Up/Down Switch	35 x 12 x 9	37 lbs	\$1,108
CLE2-SSE-24-T-PGM	24d Surfaces / T-Legs / Programmable Switch	35 x 12 x 9	37 lbs	\$1,154
CLE2-SSE-24-T-UD	24d Surfaces / T-Legs / Up/Down Switch	35 x 12 x 9	37 lbs	\$1,108

CLE2-SSE-30-C-PGM	30d Surfaces / C-Legs / Programmable Switch	35 x 12 x 9	38 lbs	\$1,190
CLE2-SSE-30-C-UD	30d Surfaces / C-Legs / Up/Down Switch	35 x 12 x 9	38 lbs	\$1,143
CLE2-SSE-30-T-PGM	30d Surfaces / T-Legs / Programmable Switch	35 x 12 x 9	38 lbs	\$1,190
CLE2-SSE-30-T-UD	30d Surfaces / T-Legs / Up/Down Switch	35 x 12 x 9	38 lbs	\$1,143



3-LEG BASES

Product No.	Features	Box Size	Pkg Wt	List Price
CLE3-SSE-24-C-PGM	24d Surfaces / C-Legs / Programmable Switch	2 boxes	61 lbs	\$1,508
CLE3-SSE-24-C-UD	24d Surfaces / C-Legs / Up/Down Switch	2 boxes	61 lbs	\$1,461
CLE3-SSE-24-T-PGM	24d Surfaces / T-Legs / Programmable Switch	2 boxes	61 lbs	\$1,508
CLE3-SSE-24-T-UD	24d Surfaces / T-Legs / Up/Down Switch	2 boxes	61 lbs	\$1,461
CLE3-SSE-2430-C-PGM	24d/30d Surfaces / C-Legs / Programmable Switch	2 boxes	61 lbs	\$1,561
CLE3-SSE-2430-C-UD	24d/30d Surfaces / C-Legs / Up/Down Switch	2 boxes	61 lbs	\$1,515
CLE3-SSE-2430-T-PGM	24d/30d Surfaces / T-Legs / Programmable Switch	2 boxes	61 lbs	\$1,561
CLE3-SSE-2430-T-UD	24d/30d Surfaces / T-Legs / Up/Down Switch	2 boxes	61 lbs	\$1,515
CLE3-SSE-30-C-PGM	30d Surfaces / C-Legs / Programmable Switch	2 boxes	61 lbs	\$1,543
CLE3-SSE-30-C-UD	30d Surfaces / C-Legs / Up/Down Switch	2 boxes	61 lbs	\$1,497
CLE3-SSE-30-T-PGM	30d Surfaces / T-Legs / Programmable Switch	2 boxes	61 lbs	\$1,543
CLE3-SSE-30-T-UD	30d Surfaces / T-Legs / Up/Down Switch	2 boxes	61 lbs	\$1,497

Notes:

- “2430” part numbers contain one 24d, one 30d, and one post leg.
- 3-leg bases are packaged in two boxes: Box 1 (35 x 12 x 9; 38 lbs.) and Box 2 (28 x 13 x 7; 23 lbs.)



Saw-Horse Table Bases

Saw-Horse table bases provide a stylish alternative to the traditional height-adjustable table. With its angled column and modern design, the Saw-Horse base is the perfect choice for a contemporary office environment.

FEATURES

- Built-in wire management and stiffener
- 20-degree angled column
- Four-position programmable hand switch
- Several standard colors – see page 36.
- Base depth of 23-³/₄” supports both 24” and 30” deep surfaces
- Maximum load (including surface) of 225 pounds
- Height range of 28” – 45-³/₄” (including surface)
- Compatible with surfaces from 48” – 84” wide; stiffener rail included



Product No.	Description	Box Size	Pkg Wt	List Price
SAW48-4710	Inverted-Y Base for 48w Tables	40 x 12 x 9	55 lbs	\$1,470

SAW54-72	Inverted-Y Base for 54w to 84w Tables	40 x 12 x 9	60 lbs	\$1,564
----------	---------------------------------------	-------------	--------	---------

Modesty Panels for Height-Adjustable Bases

Steel modesty panels mount to the underside of a work surface to provide privacy for an end user. Steel modesty panels are 13.5” high and can be ordered in several standard paint colors to match a corresponding table base.

Please note that steel modesty panels are 2” shorter than the nominal surface width and are designed to be inset 1” on each side (e.g., a modesty panel for a 48” work surface has an actual width of 46”).

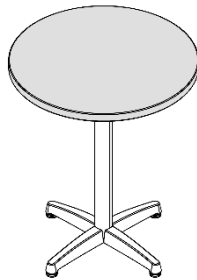
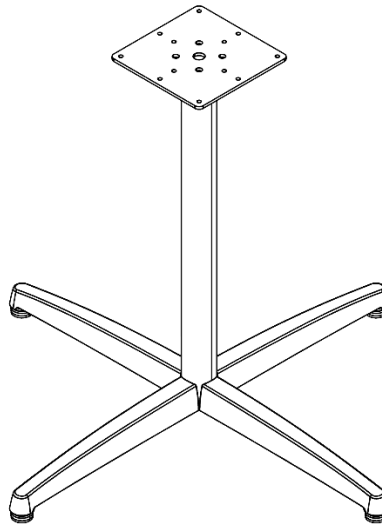
Product No.	Description	List Price
HATMOD34	Steel Modesty Panel for 36w Surfaces	\$216
HATMOD40	Steel Modesty Panel for 42w Surfaces	\$226
HATMOD46	Steel Modesty Panel for 48w Surfaces	\$236
HATMOD52	Steel Modesty Panel for 54w Surfaces	\$246
HATMOD58	Steel Modesty Panel for 60w Surfaces	\$257
HATMOD64	Steel Modesty Panel for 66w Surfaces	\$267
HATMOD70	Steel Modesty Panel for 72w Surfaces	\$277



X-BASES FOR SQUARE & ROUND SURFACES

X-Bases provide an attractive yet economical solution for round and square surfaces. X-Bases feature cast aluminum feet and a steel column made from 13-gauge round tubing (2-1/4" diameter). Surfaces are sold separately.

Product No.	Recommended Max Top Depth	Base Spread	H	Pkg Wt	List Price
XCAST-BASE27h20d	24" square or round	20" x 20"	27-3/4	16	\$640
XCAST-BASE27h26d	30" square or 36" round	26" x 26"	27-3/4	17	\$660
XCAST-BASE27h33d	36" square or 42" round	33-1/4 x 33-1/4	27-3/4	18	\$685
XCAST-BASE27h38d	42" square or 54" round	38-1/4 x 38-1/4	27-3/4	24	\$840



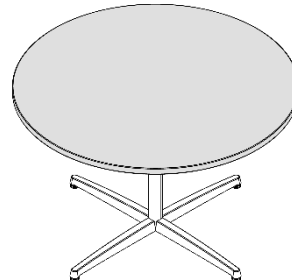
XCAST-BASE27h20d with 24" round surface



XCAST-BASE27h26d with 30" round surface



XCAST-BASE27h33d with 36" round surface



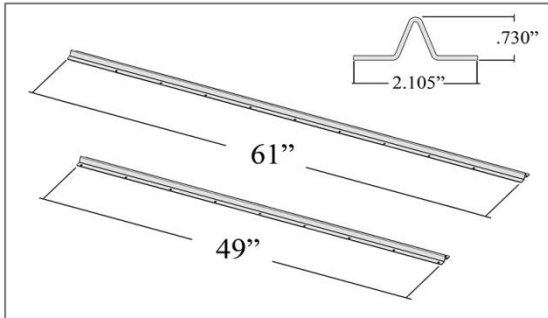
XCAST-BASE27h38d with 42" round surface

DESK ACCESSORIES

Anti-Sag Bars

Anti-sag bars provide cost-effective support for work surfaces. Anti-sag bars are painted black. Screws are not included and are the responsibility of the installer.

Product No.	Description	List Price
ANTISAG-49	Support for 60" – 71" wide surfaces	\$58
ANTISAG-61	Support for surfaces 72" to 84" wide	\$70



Hat Channel Supports

Hat channels provide support for a work surface (to prevent bowing) and a cavity for holding the controller and cords. Hat channel supports are painted black.

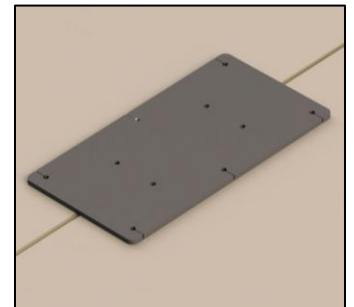
Product No.	Box Size	Pkg Wt	List Price
CLEHAT-39	41 x 7 x 3	8 lbs	\$82
CLEHAT-60	62 x 7 x 3	13 lbs	\$102



Splice Plates

Made of heavy-gauge steel, splice plates are used to join two adjacent work surfaces.

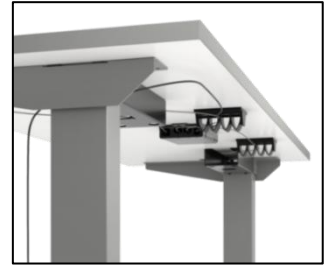
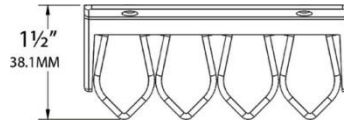
Product No.	Description	List Price
SPLICE PLATES	Kit of <u>two</u> work surface ganging plates	\$43



Cord Grips for Wire Management

Cord grips hold all wire sizes with ease and provide an inexpensive tool for managing the underside of a work surface. Cord grips are sold by the each or in packages of 10 pieces and come standard with attachment hardware.

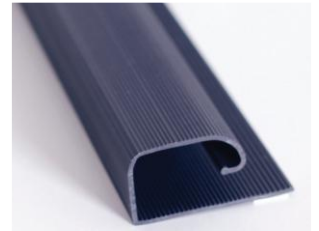
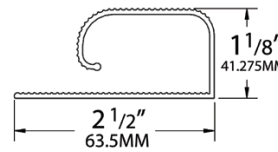
Product No.	List Price
HATA-CORDGRIP1	\$18
HATA-CORDGRIP10	\$143



J-Channel (Horizontal) Cord Minder

J-Channels provide a simple tool for hiding and managing cords.

- 48” long black plastic can be cut smaller in the field
- Secured with 2-sided tape (factory-installed)
- Sold individually or in cases of 50 pieces



Product No.	Description	List Price
HATA-J48T-1	J-Channel Cord Minder, Single	\$36
HATA-J48T-50	J-Channel Cord Minder, Case of 50	\$1,330

Vertebrae (Vertical) Cord Minder

Vertebrae cord minders provide an elegant means of managing cords from a work surface to a power outlet on the floor or a wall. Each cord minder contains 50 links that can be modified to create fused, semi-flexible, or fully flexible joints. Each cord minder includes two magnetic pockets and a screw-in top connector.

Product No.	Color	List Price
HATA-VERT-BLK	Black	\$181
HATA-VERT-SLV	Silver	\$181
HATA-VERT-WHT	White	\$181



Grommets

2-³/₈” (60mm) black grommets with built-in flexible tops, black or silver.

Product No.	List Price
HATA-GROMFX-BLK	\$16
HATA-GROMFX-SLV	\$16

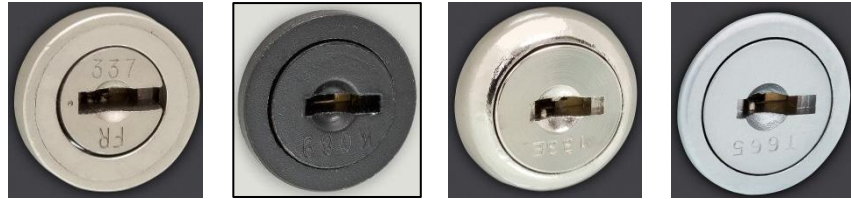


LOCKS AND KEYS

Metal Arc filing and storage products can be ordered with one of eight different core-removable lock systems. All cabinets will be built with randomly selected core & key numbers unless products are ordered “keyed-alike.” (See the next page for key-alike ordering instructions.) All locks come standard with two keys.



Name & Description:	UM Black Black Flat Face	UM Nickel Nickel Flat Face	LL Bright Nickel Scalloped Face	SL Black Scalloped Face
Ordering Code:	U	Z	L	S
Key Range:	226 to 425 (408 & 412 not available)	226 to 425 (408 & 412 not available)	226 to 325	1 to 100
Compatibility:	Herman Miller	Herman Miller	N/A	Haworth
Keyed-Alike Cores:	UMLKCORES [Qty?]	UZLKCORES [Qty?]	LLLKCORES [Qty?]	SLLKCORES [Qty?]
Core Key (\$15 list):	UMCOREKEY	UMCOREKEY	LLCOREKEY	SLCOREKEY
Master Key (\$15 list):	UMMASTKEY	UMMASTKEY	LLMASTKEY	N/A



Name & Description:	FR Matte Nickel Flat Face	K Black Flat Face	E Nickel Chrome Scalloped Face	T Satin Chrome Flat Face
Ordering Code:	F	K	E	T
Key Range:	305 to 429	1 to 250	101 to 225	601 to 700
Compatibility:	Steelcase	Knoll	HON / Allsteel	Teknion
Keyed-Alike Cores:	FRLKCORES [Qty?]	KNLKCORES [Qty?]	ELKCORES [Qty?]	TKLKCORES [Qty?]
Core Key (\$15 list):	FRCOREKEY	KNCOREKEY	ECOREKEY	TKCOREKEY
Master Key (\$15 list):	FRMASTKEY	KNMASTKEY	EMASTKEY	TKMASTKEY

IMPORTANT: The key ranges shown above designate the range of possible key numbers. Metal Arc does not guarantee the availability of all potential key numbers within the ranges.

Core and Key-Only Orders

Metal Arc provides a broad range of lock options to facilitate its sales of filing and storage products. Metal Arc does not stock locks to sell keys and cores on a stand-alone basis. Accordingly, the following rules apply to any order for lock cores and keys that is not made simultaneously with an order for filing and storage cabinets:

- ***Right to Decline Order:*** Metal Arc may, in its sole discretion, decline a stand-alone order for lock cores and keys that would deplete its inventory.
- ***Small Order Handling Fee:*** A \$20 net small-order processing fee will apply to any stand-alone order for lock cores and keys (including core change keys and master keys) with a total net value of less than \$100.

Keyed-Alike Lock Cores for Field Installation

To order keyed-alike products:

- Clearly state “**PULL CORES**” in the description on your purchase order for any items you wish to have keyed-alike, and
- Order the lock core/ key sets as separate line items on your purchase order**, using the product codes on the prior page. (See below for an example.) Metal Arc will select key numbers to satisfy this request from the key number ranges shown on the prior page.

The keyed-alike lock core/key sets will be packaged separately for field installation. Metal Arc does not maintain historical records as to what key numbers are provided.

There is no additional charge for key-alike requests, provided that (a) the key-alike request is made in conjunction with the original purchase order, and (b) the number of core/key sets ordered does not exceed the number of locks in the cabinets ordered.

The list price for additional lock core/key sets is **\$15/set**.

Keyed-alike lock core/key sets can be specified as follows:

- Determine the number of keyed-alike locks in each workstation on the project.
- Group together the workstations with a like number of locks – for example, 10 workstations with 2 locks per station, 5 workstations with 3 locks per station and 1 workstation with 4 locks.
- For each grouping, enter the number of workstations in the quantity column of the purchase order, followed by the part number for the appropriate lock series. Then add a suffix to that product number for the quantity of keyed-alike locks in that group. For example, to order the lock groupings from Step B with UM Black locks, the purchase order would read as follows:

Qty	Part #	Description	Price Per Unit	Extended Price
10	UMLKCORES 2	Set of 2 UM Black keyed-alike cores/keys	no charge	no charge
5	UMLKCORES 3	Set of 3 UM Black keyed-alike cores/keys	no charge	no charge
1	UMLKCORES 4	Set of 4 UM Black keyed-alike cores/keys	no charge	no charge

Please see <http://metalarcinc.com/office-furniture/resources/key-alike-request-form> for a key-alike instruction form that can be completed and submitted as an addendum to a purchase order.

PULLS



Full Pull / Self-Handled (Code: S)
most popular



Arc Pull (Code: A)
satin nickel finish



Bar Pull (Code: B5)
aluminum finish



Droop Pull (Code: D)
painted to match drawer front



J Pull (Code: J)*



Aluminum Insert (Code: AI)*
extruded aluminum (unpainted)



Matching Pull (Code: M)*
painted to match drawer front



Twist Pull (Code: T)
satin nickel finish



Short Rod Pull (Code: O)
brushed nickel finish



Long Rod Pull (Code: L)
brushed nickel finish
available on lateral files only
\$15 list price upcharge per drawer

* J Pulls, Aluminum Insert Pulls, and Matching Pulls are available only on pedestal file and lateral file drawer fronts. These pulls are not available on doors.

PAINT COLORS

Industry Standard Colors:

Name	Code
HM Black Umber	BU
HM Dark Tone	DT
HM Innertone	HT
HM Innertone Light	HF
HM Just Tan	JT
HM Light Gray	HL
HM Light Tone	LT
HM Medium Tone	MT
HM Metallic Champagne	CN
HM Slate Gray	GS
HM Soft White	LU

SC Arctic White Textured	AR
SC Black	BK
SC Black Textured	BX
SC Fieldstone Textured	FS
SC Gray Value 1	GV
SC Platinum (Metallic)	PM
SC Warm White	WW

Name	Code
HW Beige	BE
HW Charcoal	CH
HW Chalk	CK
HW Graphite	GP
HW Greystone	GT
HW Platinum	HP
HW Smoke	SM

KN Folkstone Gray	FG
KN Medium Gray	MG
KN Medium Gray Textured	MX
KN Sandstone	SS
KN Soft Gray	SG

New for 2024:

SC Low Gloss Black	4710
KB Designer White	405

Metal Arc Colors:

Name	Code
MA Appliance White	AW
MA Cargo Red	CRED
MA Ivory	IV
MA Lakeshore Gray	LG

Don't see the color you need . . .

Metal Arc has access to many other industry favorites beyond those shown above. Many non-standard colors are available without an upcharge, although additional lead times may apply. The most recent list of non-standard colors is available at <https://metalarcinc.com/office-furniture/options/paint-colors>.

Interested in a custom color . . .

Custom color requests are handled on a case-by-case basis. Additional lead-times, surcharges and quantity minimums may apply. Email sales@metalarcinc.com for more information.

FABRICS FOR CUSHION TOPS

Metal Arc standard fabrics for cushion tops may be viewed at <http://metalarcinc.com/office-furniture/options/fabrics-for-cushion-tops>. Please note that these standards will change from time to time due to fabric availability.

CUSTOMER-PROVIDED FABRICS (COM) - Customers may also supply their own fabric for use on cushion tops. Please see below for requirements.

Pricing:

In instances where a customer supplies the fabric, Metal Arc will apply a credit (price reduction) of \$5 net per unit for an order of 10 or more cushion top mobile pedestal files. To qualify for this credit, all 10+ cushion top mobile pedestal files must be ordered together on a single purchase order.

Yardage Requirements - 1 Yard Minimum*:

Product	Fabric Required/Unit (lineal yards from 54” or 66” fabric)
18” Deep x 1.5” High Pedestal File Cushion Tops	0.39 Yards
22” Deep x 1.5” High Pedestal File Cushion Tops	0.44 Yards
24” Wide x 1.5” High Lateral File Cushion Tops	0.75 Yards
30” Wide x 1.5” High Lateral File Cushion Tops	0.75 Yards
36” Wide x 1.5” High Lateral File Cushion Tops	0.75 Yards
42” Wide x 1.5” High Lateral File Cushion Tops	0.75 Yards
24” Wide x 1” High Open Plan Cushion (no welt trim)	0.66 Yards
30” Wide x 1” High Open Plan Cushion (no welt trim)	0.66 Yards
36” Wide x 1” High Open Plan Cushion (no welt trim)	0.66 Yards
42” Wide x 1” High Open Plan Cushion (no welt trim)	0.66 Yards

* Must round up to the nearest whole yard when providing fabric. For example, if providing fabric for four 22” deep pedestal file cushion tops, two full yards of fabric would be required (*i.e.*, 4 x 0.44 yards = 1.76 yards, rounded up to the nearest whole yard for 2.00 yards).

Shipping Address for Customer-Provided Fabrics (updated 4/1/26):

Banta Furniture Company
 c/o Metal Arc, Inc.
 2929 32nd Street
 Suite 2
 Grand Rapids, MI 49512
 (616) 575-8180*

* This phone number is provided for shipping purposes only. Please address any inquiries to sales@metalarcinc.com.

Labeling Information: Please provide the following information with your package of fabric:

- Your company’s name
- Your purchase order number to Metal Arc (that is, the PO for which the fabric is to be used)
- The manufacturer, name and part number of the fabric
- The quantity (in yards) of fabric being provided

Warranty: Metal Arc’s standard warranty does not apply to customer-provided fabric.

TERMS OF SALE

Pricing and Freight: Unless indicated otherwise, all prices quoted in this catalog are list prices, before any applicable discounts. Freight expenses are handled on a case-by-case basis. In instances where Metal Arc is responsible for freight expenses, a small order freight charge may be applied to orders that fall under a particular dollar threshold.

Shipping Costs – Accessories: When ordered on a stand-alone basis (*i.e.*, not in conjunction with an order of casegoods), shipping and handling costs will be charged to the purchaser for all orders of accessories.

Order Placement: All orders must be submitted through the online portal, unless other guidance has been provided to email a PO to sales@metalarcinc.com.

Order Acknowledgement: Once a job has been put into a production schedule, order acknowledgements will be issued via e-mail. Online order summaries are not a formal order acknowledgement yet provide an opportunity to review the accuracy of what was submitted. Please contact Metal Arc immediately if you do not receive an order acknowledgement by the end of the third business day after submission of your order, as your order may not have been received. *Please carefully review your order acknowledgement for any errors or omissions.*

Lead Times: Your order acknowledgement will show a date by which your order will be ready to ship. Lead times will be dependent upon order size, product mix, and time of year. Lead times are typically longer in the summer and around holidays. Many small orders for pedestal files, standard lateral files and bookcases will ship faster. Metal Arc will not be liable for any losses or damages resulting from longer lead times, nor will a longer lead time entitle the purchaser to a right of cancellation.

Changes and Cancellations: Purchase orders may not be cancelled after issuance of an order acknowledgement. In the event of a requested change or correction, the purchaser may be required to pay an additional cancellation or re-processing fee. Metal Arc may, at its discretion, determine the amount of any such fee on a case-by-case basis.

Shipping Terms: With the exception of local deliveries made by Metal Arc itself, Metal Arc's shipping terms are FOB origin. This means that the buyer takes title to the goods (and is responsible for the goods) once they leave Metal Arc's premises. Metal Arc is not responsible for freight damage caused by a non-Metal Arc carrier. For local deliveries made by Metal Arc, the shipping terms are FOB destination.

Freight Delivery Times / Special Requests: In instances where Metal Arc is responsible for freight expenses, Metal Arc will provide free freight to a single destination in the continental United States, for delivery during normal business hours to a commercial dock. Normal business hours for most freight carriers are between 7:30 a.m. and 3:30 p.m. To the extent possible, Metal Arc will work with the chosen freight carrier to accommodate special shipping or delivery requests, such as sidewalk deliveries or weekend and late-night deliveries. Please be aware that the purchaser is responsible for any additional costs/charges incurred by Metal Arc as a result of such special shipping and delivery requests.

Please also be aware that a freight carrier may charge a penalty if a purchaser is not ready to accept delivery at the scheduled and allotted time. Any additional charges/penalties incurred by Metal Arc as a result of a purchaser delay are the responsibility of the purchaser and will be passed along to the purchaser.

Freight Damage Claims: It is the buyer’s responsibility to inspect goods thoroughly for apparent damage before accepting shipment. Please do not refuse shipment. Rather, if there is any apparent damage to the unit or packaging, please clearly note that damage (in specific detail) on the bill of lading when accepting delivery. Failure to note apparent damage on the bill of lading or another shipment document may prevent the purchaser and Metal Arc from successfully pursuing a freight damage claim.

Please contact Metal Arc immediately in the event of apparent shipping damage, or in the event of damage discovered upon unpacking the product. As noted above, Metal Arc is not responsible for freight damage caused by a non-Metal Arc carrier. Metal Arc will, however, file a damage claim with the carrier on your behalf.

Carriers often impose rigid timelines for making a freight damage claim. Accordingly, failure to inspect the package upon receipt and/or failure to contact Metal Arc immediately upon discovering freight damage may prevent the purchaser and Metal Arc from successfully pursuing a freight damage claim.

To pursue a claim, it also will be necessary for the purchaser to retain the original packaging and possibly provide pictures of the damaged part(s) and packaging. Failure to retain the packaging also may prevent the purchaser and Metal Arc from successfully pursuing a freight damage claim.

In no circumstance may a buyer make a deduction for freight damage when paying a Metal Arc invoice.

Invoicing and Payment Terms: Orders are invoiced at the time of shipment. Invoices are due within 30 days of the invoice date. Invoices unpaid after 30 days are subject to a late charge of 2% per month on the unpaid balance. The calculation of this late charge begins on the 31st day from the invoice date. At Metal Arc’s discretion, customers with unpaid (delinquent) balances may be placed on credit hold. Metal Arc reserves the right to adopt different payment terms with particular customers on a case-by-case basis.

Taxes: Metal Arc’s prices do not include taxes, and all sales, use, and other applicable taxes are the sole responsibility of the purchaser. Metal Arc will invoice and collect sales taxes for all sales made in Michigan, unless the purchaser has provided Metal Arc with an appropriate certificate of exemption.

Warranty – Filing & Storage and Table Legs: Metal Arc warrants that the cabinets and legs that it manufactures will be free from defects in material and workmanship for the life of the products. Metal Arc, as its sole obligation, will repair or replace (at its option) any product, part or component which fails under normal use as a result of such a defect in material or workmanship. This warranty extends only to original purchasers who acquire new product directly from Metal Arc or its authorized resellers. This warranty is void if the original purchaser transfers or sells the product.

This warranty does not cover damage resulting from ordinary wear and tear, including paint finish changes and/or discoloration resulting from aging or exposure to light. In addition, this warranty does not cover damage resulting from improper installation or use of a product, and any material modification to the original product voids this warranty.

This warranty does not cover other manufacturers’ products sold through Metal Arc. Rather, supplier warranties will apply to products not manufactured by Metal Arc.

Warranty – Height Adjustable Table Bases:

- Two (2) years on electronic components such as control boxes, hand switches, and motors
- Five (5) years on mechanical components, such as crank drives and spindles
- Ten (10) years on structural components, such as beams, feet and top supports

* * *

TO THE EXTENT ALLOWED BY LAW, ANY IMPLIED WARRANTIES, INCLUDING ANY WARRANTY OF MERCHANTABILITY OR FITNESS FOR A PARTICULAR PURPOSE, ARE HEREBY DISCLAIMED.

These warranties do not cover, and Metal Arc shall not be liable for, incidental damages such as loss of time, loss of use, or inconvenience. In addition, these warranties do not cover, and Metal Arc shall not be liable for, any consequential damages (*e.g.*, the cost of fixing other property) caused by its products.

These warranties give the purchaser specific legal rights. Purchasers may have other rights which vary from state to state or province to province.

Contact Information:

Metal Arc, Inc.
3792 E. Ellis Rd.
Muskegon, MI 49444
PH: (231) 865-3111
FAX: (231) 865-2037
e-mail: sales@metalarcinc.com